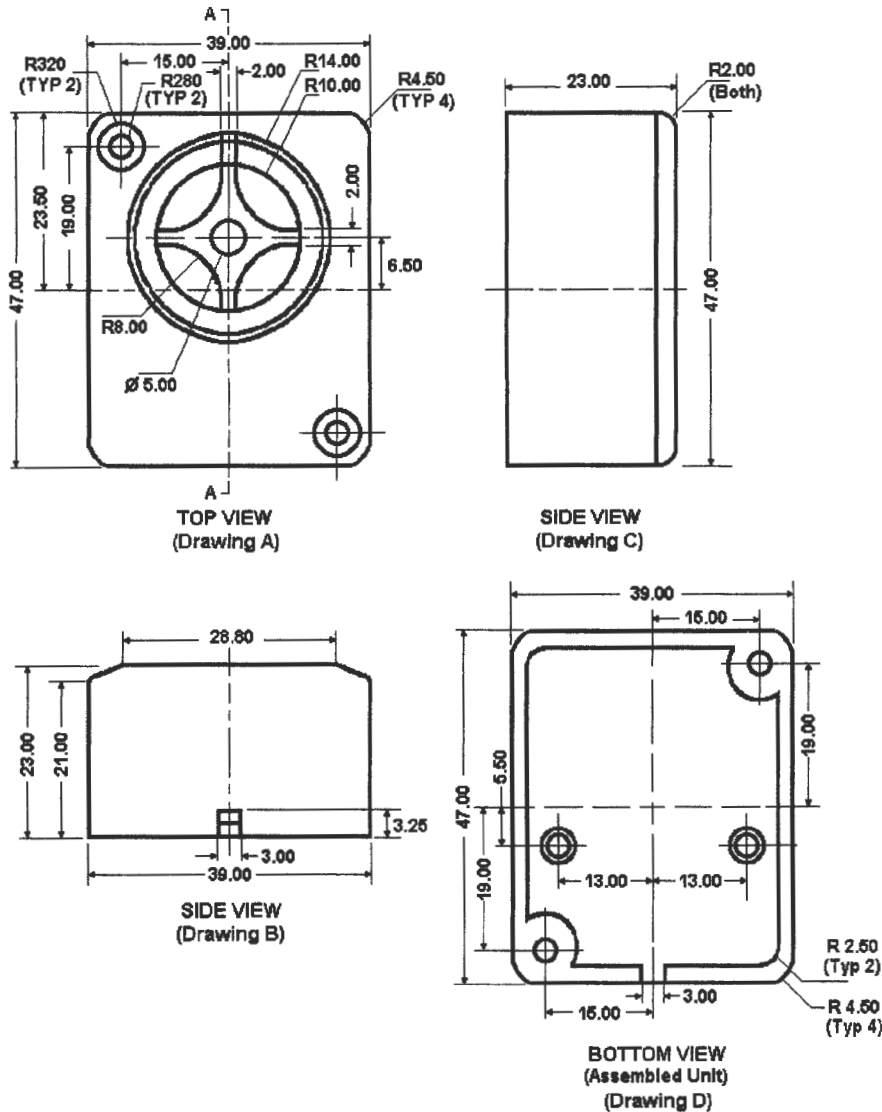


INTERVOX PIEZO SOUNDER BPS4228L-12-CS-DA



ALL DIMENSIONS IN MILLIMETERS

SPECIFICATIONS:

Model No.	BPS4228L-12-CS-DA
Rated Voltage (VDC)	12 (Nominal)
Operating Voltage (VDC)	Min. 6 ~ Max. 14
Sound Output @ 1 Meter (dB)	Over 110 @ 12 VDC
Operating Frequency (Hz)	2 KHz ~ 3.5 KHz
Operating Current @ 12 VDC (mA)	Typical 130 - Maximum 150
Continue Operation Test:	Over 1 hour (at 14 VDC)
Life Test: "ON" 1 minute, "OFF" 1 minute Duty Cycle (at 12 VDC)	Continuously over 12 hour period
Operating Temperature (°C)	10 Min. to +55 Max.(10 minutes)
Storage Temperature (°C)	- 40 Min. to +80 Max.
Length of Wire (#22 AVG):	60 mm \pm 5 mm
Sounder Tone	Siren, Sweep, Hi-Low, Continuous

INTERVOX
International ©

INTERNATIONAL COMPONENTS CORPORATION
 215 MCCORMICK DRIVE, BOHEMIA, NY 11716
 FAX: 631-952-9595 FAX: 631-952-9597

Title:

Piezo Sounder

Intervox Model #

BPS4228L-12-CS-DA

Rev
A

Scale: mm

Date: 4/11/00

Sheet 1 of 1