

SPECIFICATIONS SHEET

PRODUCT TYPE : MECHANICAL BUZZER

PRODUCT SERIES : BR2618L

DESCRIPTION : MC BUZZER SINGLE 24VDC L/W ABS RoHS

COLOR : WHITE

ELECTRICAL SPECIFICATIONS

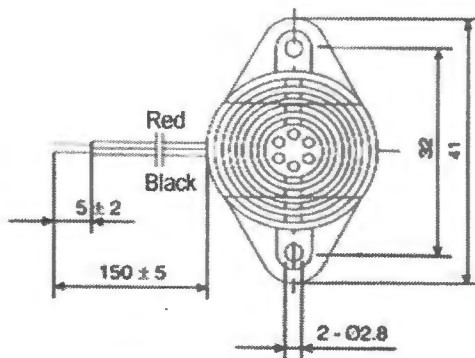
MODEL NO.	BR2618L-24	
OPERATING VOLTAGE RANGE	(VDC)	20.0 ~ 28.0
RATED VOLTAGE	(VDC)	24.0
* MAX. RATED CURRENT	(mA)	21.0
* MIN. SOUND OUTPUT	(dBA / 10 cm)	95.0
* FREQUENCY	(Hz)	400 ± 100
TONE NATURE		SINGLE
OPERATING TEMPERATURE	(°C)	-20.0 ~ +60.0
TERMINAL		LEADWIRE
HOUSING MATERIAL		ABS
WEIGHT	(g)	17.0

* Value applying at rated voltage

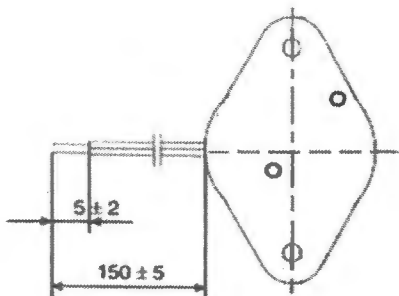
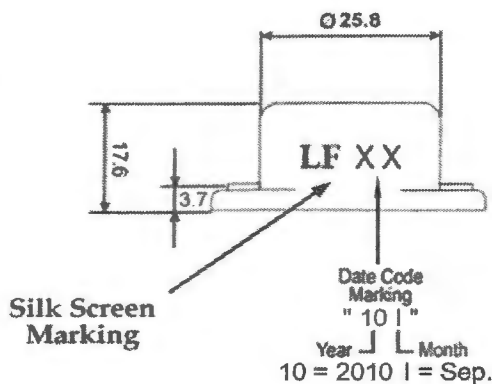
DIMENSIONS

UNIT : mm

TOP VIEW



SIDE VIEW



BOTTOM VIEW

Approved By : FG
Date : 2-Sep.-2010

Prepared By : G16
Date : 2-Sep.-2010

Modify :	Date :	By :
Modify Wire Position	2-Sep-10	Joey

Ref. : 2-002