

SPECIFICATIONS SHEET

PRODUCT TYPE : SELF DRIVE PIEZO TRANSDUCER

PRODUCT SERIES : BRP2308P-30

DESCRIPTION : PZ TRANSDUCER 12VDC PIN PBT SP RoHS

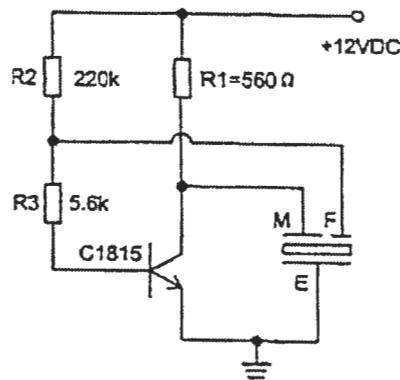
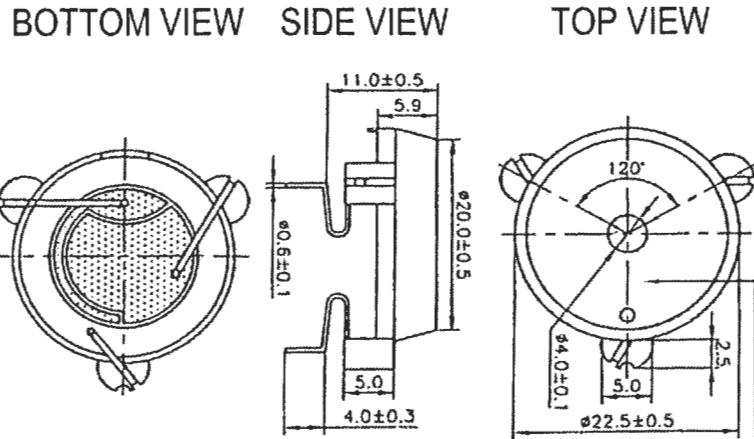
COLOR : GREY

ELECTRICAL SPECIFICATIONS

<u>MODEL NO.</u>	<u>BRP2308P-30</u>	
<u>OPERATING VOLTAGE</u>	(VDC)	3.0 ~ 18.0
<u>RATED VOLTAGE</u>	(VDC)	12.0
<u>MAX. RATED CURRENT</u>	(mA)	15.0
<u>MIN. SOUND OUTPUT</u>	(dBA / 30 cm)	80.0
<u>FREQUENCY</u>	(Hz)	3500 ± 500
<u>OPERATING TEMPERATURE</u>	(° C)	-20 ~ +60
<u>TERMINAL</u>		PIN
<u>HOUSING MATERIAL</u>		PBT
<u>WEIGHT</u>	(g)	1.7

DIMENSIONS

UNIT : mm



Recommended Test Circuit

Label Marking

LF X / X

Date Code Marking
 * 5 / 1 *
 Year | Month
 5 = 2005 | 1 = Sep.

Modify :	Date :	By :

Approved By : st
 Date : 23-Sep-2005

Prepared By : ll
 Date : 23-Sep-2005