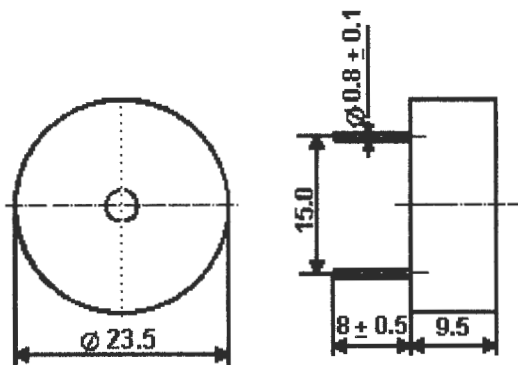
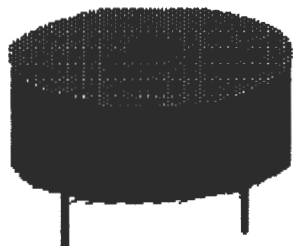


Piezo Buzzer with Built in Circuit

BRP2410P-12-C



SPECIFICATIONS:

TYPE	BRP2410P-12-C
RATED VOLTAGE (V)	12
OPERATING VOLTAGE (V)	3 ~ 20
*RATED CURRENT (mA)	MAX. 15
*SOUND OUTPUT AT 10cm (dB) MIN.	MIN. 86
RESONANT FREQUENCY (Hz)	3400 \pm 500
OPERATING TEMPERATURE (°C)	- 20 ~ + 60
STORAGE TEMPERATURE (°C)	- 30 ~ + 80
WEIGHT (g)	3

*Value applying rated voltage (DC)

INTERVOX
International ©

INTERNATIONAL COMPONENTS CORPORATION
215 MCCORMICK DRIVE, BOHEMIA, NY 11716
FAX: 631-952-9595 FAX: 631-952-9597

Title:

Piezo Buzzer with Built in Circuit

Tolerance:
+/- 0.5mm

Intervox Model #

BRP2410P-12-C

Rev.

Unit: mm

Date: 11/17/98

Sheet 1 of 1