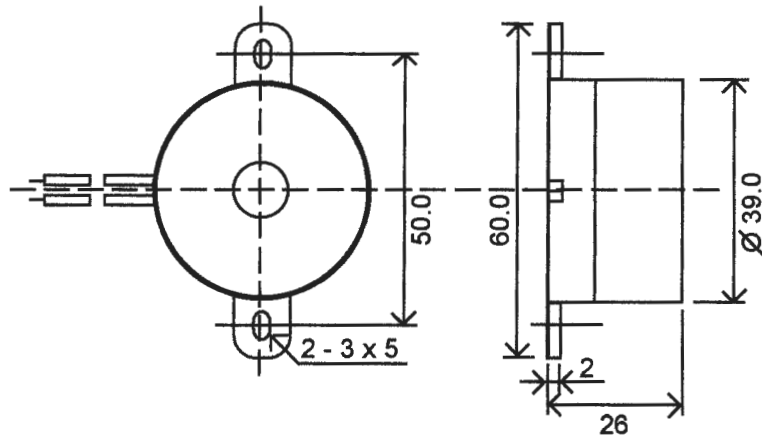
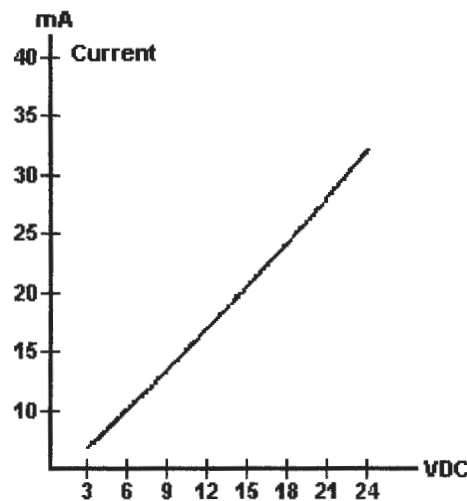
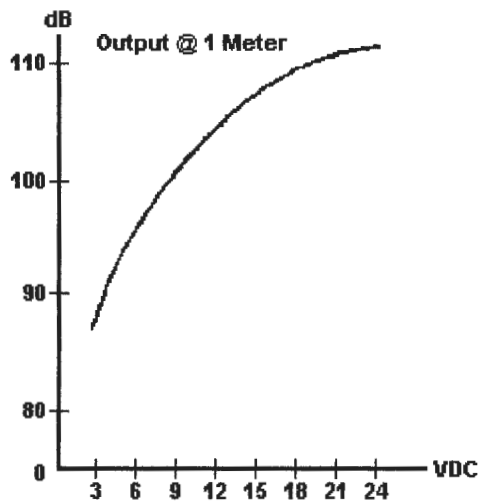


PIEZO ELECTRIC ALARMS with Internal Circuitry BRP3926L-12-C & BRP3926L-12-CP Series



SPECIFICATIONS

Model No.	BRP3926L-12-C & BRP3926L-12-CP
Operating Voltage (V)	3 ~ 24
Frequency (KHz)	3.0
Current @ 12V (mA)	18
Output @ 12V (dB/100cm)	101
Temperature (°C)	-20 to + 60
Tone Mode	Continuous or Pulse



INTERVOX
International ©

INTERNATIONAL COMPONENTS CORPORATION
215 MCCORMICK DRIVE, BOHEMIA, NY 11716
FAX: 631-952-9595 FAX: 631-952-9597

Title:

Piezo Electric Alarm with Internal Circuitry

Code:
414

Intervox Model #

BRP3926L-12-C & BRP3926L-12-CP

Rev
A

Scale:
mm

Date:
6/16/93

Sheet 1 of 1