

SPECIFICATIONS SHEET

PRODUCT TYPE : PIEZO BUZZER

PRODUCT SERIES : BRP4020P-06-C

DESCRIPTION : PZ BUZZER SINGLE 6VDC PIN ABS

LEAD FREE MATERIAL (RoHS)

COLOR : BLACK

ELECTRICAL SPECIFICATIONS

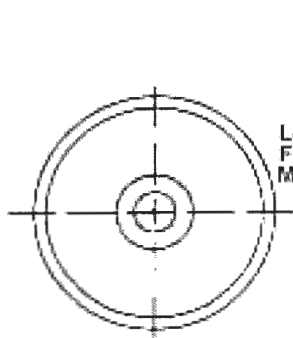
| <u>MODEL NO.</u> | | <u>BRP4020P-06-C</u> |
|--------------------------------|----------------|----------------------|
| <u>OPERATING VOLTAGE RANGE</u> | (VDC) | 5 ~ 9 |
| <u>RATED VOLTAGE</u> | (VDC) | 6.0 |
| * <u>MAX. RATED CURRENT</u> | (mA) | 30 |
| * <u>MIN. SOUND OUTPUT</u> | (dBA/ 30 cm) | 100 |
| * <u>FREQUENCY</u> | (Hz) | 3200+/- 500 |
| <u>TONE NATURE</u> | | SINGLE |
| <u>OPERATING TEMPERATURE</u> | (° C) | - 20 ~ + 60 |
| <u>TERMINAL</u> | | PIN |
| <u>HOUSING MATERIAL</u> | | ABS |
| <u>WEIGHT</u> | (g) | 8 |

* Value applying at rated voltage

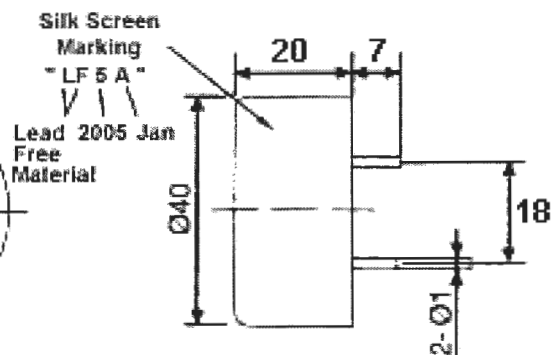
DIMENSIONS

UNIT : mm

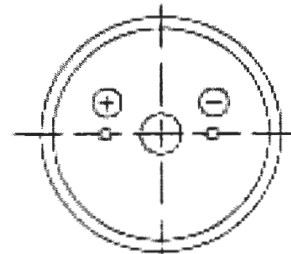
TOP VIEW



SIDE VIEW



BOTTOM VIEW



Approved By : ST
Date : 23-Jun-2005

Prepared By : LL
Date : 23-Jun.-2005

| Modify : | Date : | By : |
|----------|--------|------|
| | | |
| | | |
| | | |