

SPECIFICATIONS SHEET

PRODUCT TYPE : PIEZO BUZZER

PRODUCT SERIES : BRP4326T-12-C

DESCRIPTION : PZ BUZZER SINGLE 12VDC PLUS ABS SP RoHS

COLOR : BLACK

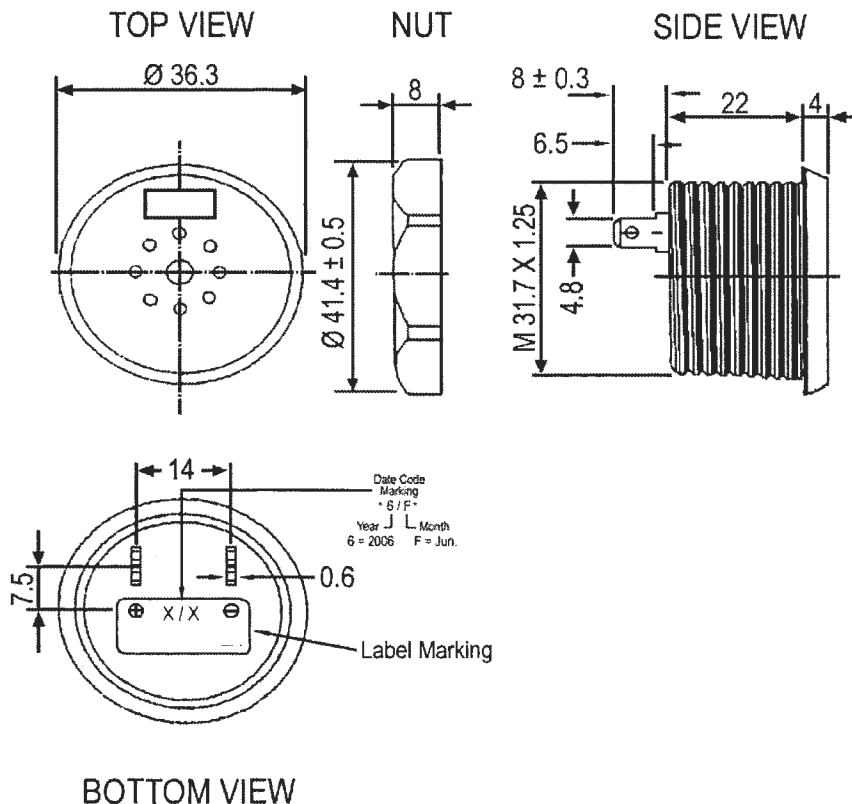
ELECTRICAL SPECIFICATIONS

MODEL NO.	BRP4326T-12-C
<i>OPERATING VOLTAGE RANGE</i> (VDC)	5.0 ~ 28.0
<i>RATED VOLTAGE</i> (VDC)	12.0
* <i>MAX. RATED CURRENT</i> (mA)	18.0
* <i>MIN. SOUND OUTPUT</i> (dBA/ 1 m)	85.0
* <i>FREQUENCY</i> (Hz)	3000 ± 500
<i>TONE NATURE</i>	SINGLE
<i>OPERATING TEMPERATURE</i> (°C)	- 30 ~ + 75
<i>STORAGE TEMPERATURE</i> (°C)	- 30 ~ + 75
<i>TERMINAL</i>	PLUG
<i>HOUSING MATERIAL</i>	ABS
<i>WEIGHT</i> (g)	35.0

* Value applying at rated voltage

DIMENSIONS

UNIT : mm



Modify :	Date :	By :
Operating & Storage Temp. change to - 30 ~ + 75 °C	15-Feb-12	Joey

Approved By : ST
Date : 15-Feb.-2012

Prepared By : LL
Date : 15-Feb.-2012