

## SPECIFICATIONS SHEET

**PRODUCT TYPE** : EXTERNAL DRIVE PIEZO TRANSDUCER

**PRODUCT SERIES** : BRP4514T-D-B

**DESCRIPTION** : PZ TRANSDUCER 12V PA66 PLT RoHS SP

1) ADD LABEL MARKING " INTERVOX " " BRP4514T-D-B "  
& " DATE CODE " MARKING 2) REQUEST PACKING 80 pcs  
INNER BOX, 400 pcs CARTON

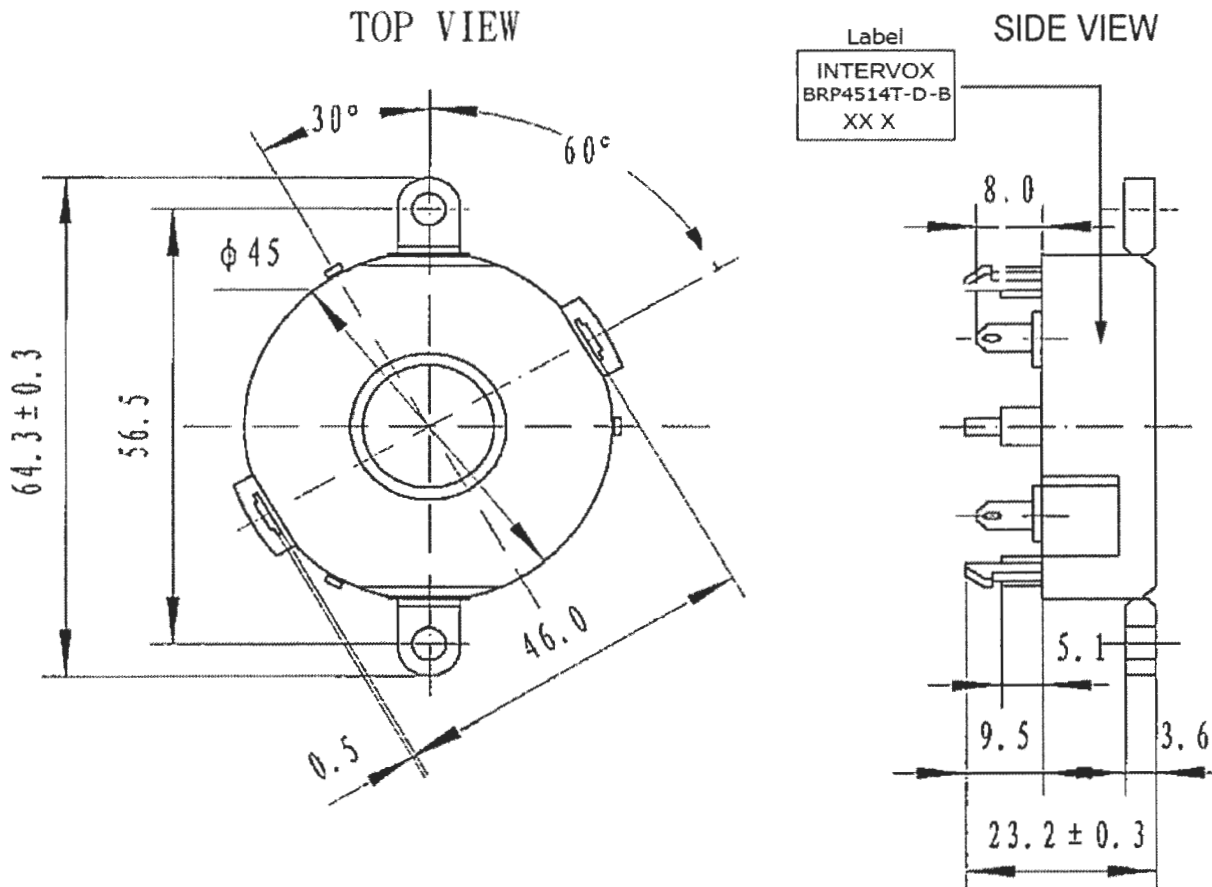
**COLOR** : BLACK

### ELECTRICAL SPECIFICATIONS

<u>MODEL NO.</u>	<u>BRP4514T-D-B</u>
<u>SOUND PRESSURE LEVEL</u>	100.0 dBA min. ( 12.0Vrms Sine Wave , 30 cm , 3200 Hz )
<u>CAPACITANCE</u>	25000 pF ± 30 % at 120 Hz
* <u>MAX. INPUT VOLTAGE</u>	40.0 Vrms
<u>OPERATING TEMPERATURE</u>	-40 ~ +105 ° C
<u>STORAGE TEMPERATURE</u>	-40 ~ +105 ° C
<u>TERMINAL</u>	PLATE
<u>HOUSING MATERIAL</u>	PA66
* <u>WEIGHT</u>	11.0 g

### DIMENSIONS

UNIT : mm



<u>Modify :</u>	<u>Date :</u>	<u>By :</u>
Marking " BRP4514T-D " change to " BRP4514T-D-B "	13-Mar.-2017	Nelson
		Ref.:3-002

Approved By : LL  
 Date : 13-Mar.-2017

Prepared By : VC  
 Date : 13-Mar.-2017