

SPECIFICATIONS SHEET

PRODUCT TYPE : PIEZO BUZZER

PRODUCT SERIES : BRP4535S SERIES

DESCRIPTION : PZ BUZZER DUAL 12VDC PLT ABS RoHS SP

1) 11mm PL 2) 0.8 ~ 1.2 PULSE / SECOND

3) NEGATIVE ADD DIODE 4) NUT FULL THREAD

5) SCREWS M3.4 6) LABEL MARKING " INTERVOX BRP4535S-12-CD & DATE CODE " 7) ADD LABEL ON SIDE

LABEL MARKING " INTERVOX BRP4535S-12-CD "

8) ADD " + " SILVER LABEL ON TOP

9) ADD " RoHS conform " LABEL

COLOR : BLACK

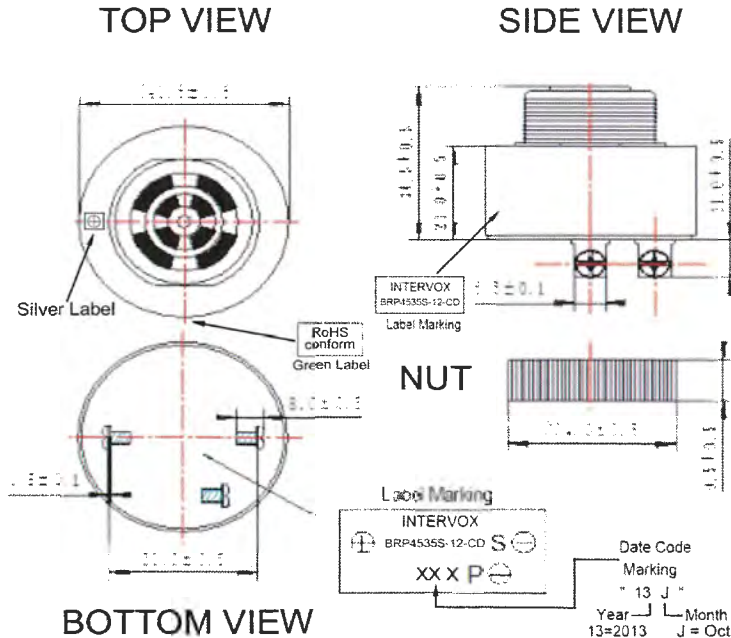
ELECTRICAL SPECIFICATIONS

| MODEL NO. | | BRP4535S-12-CD |
|--------------------------------------|-------------------|-----------------------------------|
| OPERATING VOLTAGE RANGE | (VDC) | 4.0 ~ 15.0 |
| RATED VOLTAGE | (VDC) | 12.0 |
| * MAX. RATED CURRENT (SINGLE TONE) | (mA) | 25.0 |
| * MAX. RATED CURRENT (PULSE TONE) | (mA) | 20.0 |
| * MIN. SOUND OUTPUT | (dBA / 30.0 cm) | 95.0 / 90.0 |
| * FREQUENCY | (Hz) | 2900 ± 500 |
| TONE NATURE | | DUAL (0.8 ~ 1.2 PULSE / SECOND) |
| OPERATING TEMPERATURE | (° C) | - 20.0 ~ + 60.0 |
| STORAGE TEMPERATURE | (° C) | - 30.0 ~ + 70.0 |
| TERMINAL | | PLATE |
| HOUSING MATERIAL | | ABS |
| WEIGHT | (g) | 35.0 |

* Value applying at rated voltage

DIMENSIONS

UNIT : mm Tolerance : ± 0.5 mm



| | | |
|-----------------------------|-----------|------|
| Modify : | Date : | By : |
| Modify Draw and Description | 02-Oct-13 | Joey |
| Add " RoHS conform " Label | 04-Oct-13 | Joey |
| | | |

Approved By : ST
 Date : 4-Oct.-2013

Prepared By : JL
 Date : 4-Oct.-2013