

SPECIFICATIONS SHEET

PRODUCT TYPE : PIEZO BUZZER

PRODUCT SERIES : BRP5038L-12-CS

DESCRIPTION : PZ BUZZER TWO 12VDC L/W ABS RoHS SP

COLOR : BLACK

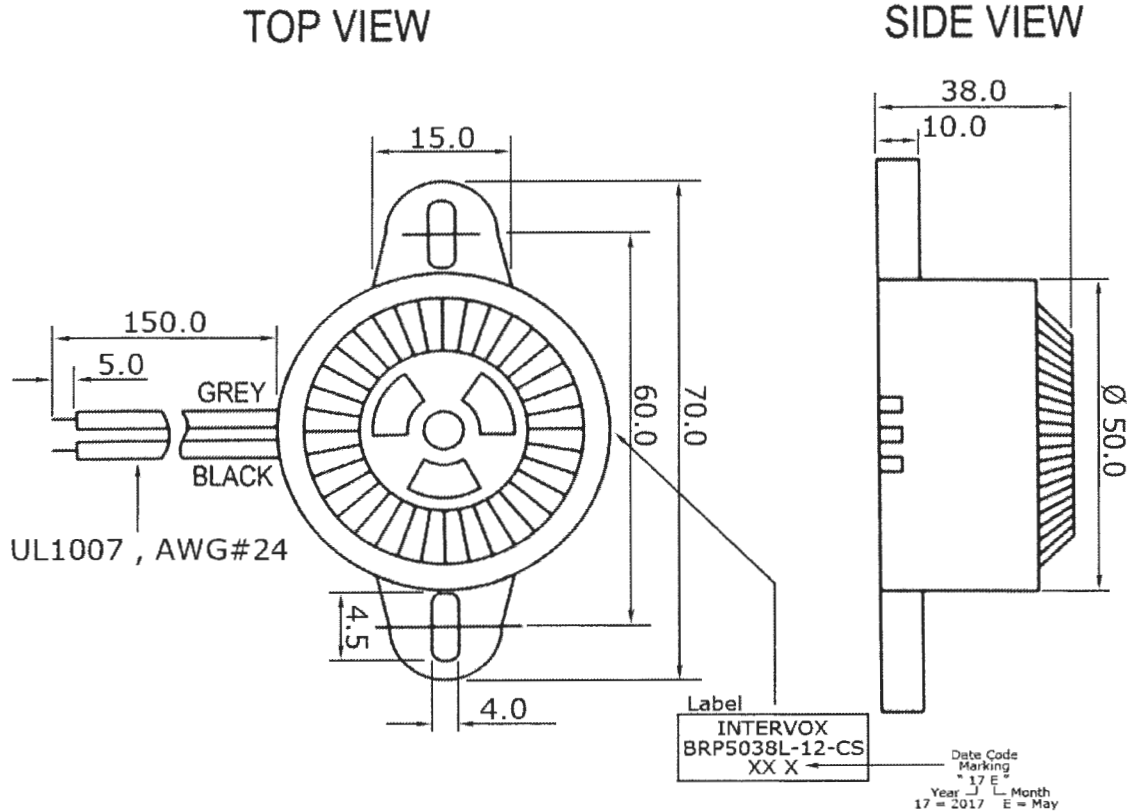
ELECTRICAL SPECIFICATIONS

MODEL NO.	<i>BRP5038L-12-CS</i>	
OPERATING VOLTAGE RANGE (VDC)	6.0 ~ 16.0	
RATED VOLTAGE (VDC)	12.0	
* MAX. RATED CURRENT (mA)	65.0	
* MIN. SOUND OUTPUT (dBA/ 30.0 cm)	105.0	
* FREQUENCY (Hz)	3000.0 ~ 3200.0 ± 500.0	
tone NATURE	TWO	
OPERATING TEMPERATURE (°C)	- 20.0 ~ + 60.0	
STORAGE TEMPERATURE (°C)	- 30.0 ~ + 70.0	
TERMINAL	LEADWIRE (UL1007 , AWG#24)	
HOUSING MATERIAL	ABS	
WEIGHT (g)	45.0	

* Value applying at rated voltage

DIMENSIONS

UNIT : mm Tolerance : ± 0.5 mm



Approved By : LL
 Date : 02 May 2017

Prepared By : VC
 Date : 02 May 2017

Modify :	Date :	By :
ADD LABEL MARKINGS	02-May-17	JOEY