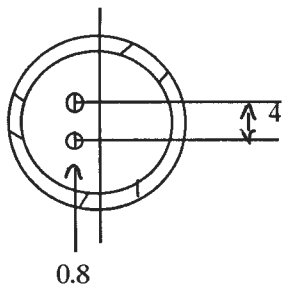
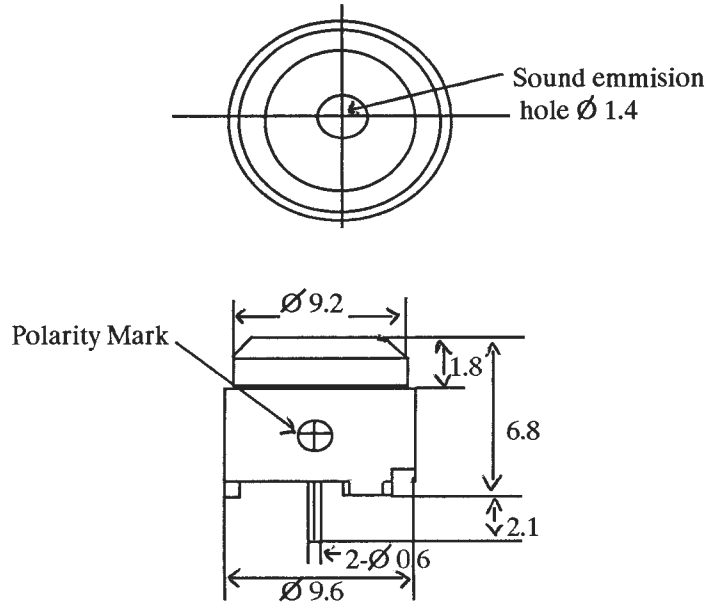


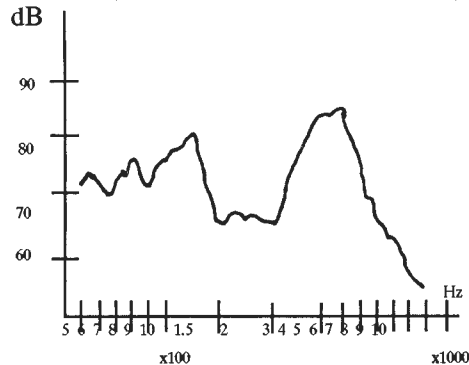
## BRT0907P-01 Series ELECTRO ACOUSTIC TRANSDUCER

Dimensions in mm



CASE MATERIAL  
NORYL SEJ  
BLACK

Frequency Response  
(Actual curve of BRT0907P-01)



Applied voltage: 1.5V, 1/2 duty, square wave distance for measurement: 10cm

### SPECIFICATIONS:

Type	BRT0907P-01
Rated Voltage (V)	1.5
Operating Voltage (V)	1 ~ 2
*Rated Current (mA)	Max. 80
Coil Resistance (Ohm)	5.5 ± 1.0
**Coil Impedance (Ohm)	9.5
*Sound Output at 10cm (dB)	Min. 80
Resonant Frequency (Hz)	3,100
Operating Temperature ( C )	- 20 + 60
Storage Temperature ( C )	- 30 + 70
Weight (g)	1

\*Value applying rated voltage (3,100 Hz, 1/2 duty, square wave)  
\*\*Value applying (3,100 Hz, sine wave, measuring current 60uA)

INTERVOX  
**International** ©

INTERNATIONAL COMPONENTS CORPORATION  
215 MCCORMICK DRIVE, BOHEMIA, NY 11716  
FAX: 631-952-9595 FAX: 631-952-9597

Title:

**Electro Acoustic Transducer**

Intervox Model #

**BRT0907P-01**

Rev

**A**

Scale:

Date: **1/1/94**

Sheet **1** of **1**