

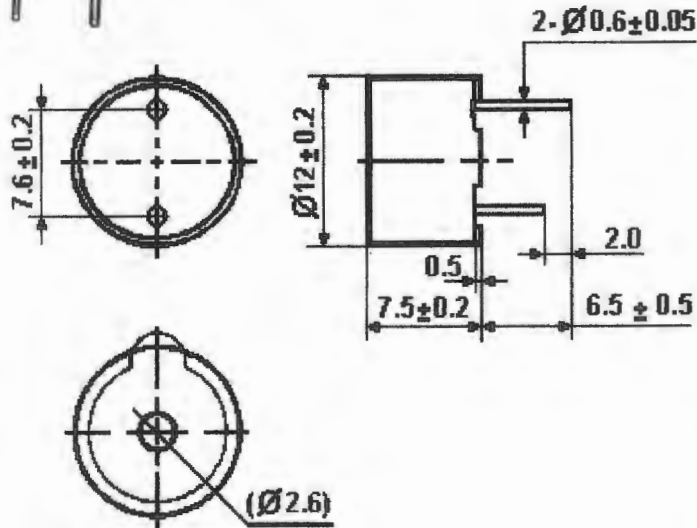
ELECTRO ACOUSTIC TRANSDUCER

BRT1207P-C Series



FEATURES

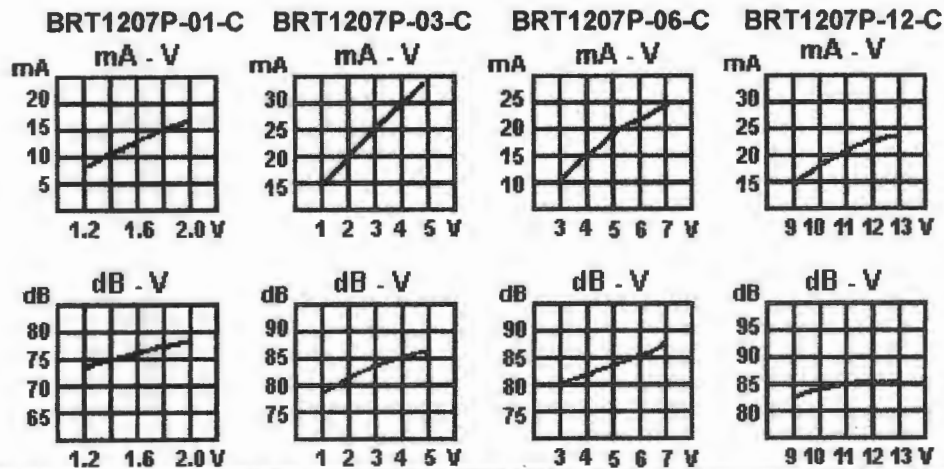
- Ultra small
- Ready for dip soldering and flux washing
- Low current consumption



SPECIFICATIONS

Model No.	BRT1207P-01-C	BRT1207P-03-C	BRT1207P-06-C	BRT1207P-12-C
Rated Voltage DC (VDC)	1.5	3	5	12
Operating Voltage (VDC)	1.4 ~ 2	2 ~ 5	3 ~ 7	9 ~ 15
■ Rated Current (mA)	< 20	< 30		
■ Sound Output Level at 10cm (dB)	> 75	> 82	> 83	
■ Resonant Frequency (Hz)	2300 ± 500	2300 ± 400		
◆ Response Time (ms)	< 50			
Operating Temperature (°C)	-20 to +70			
Storage Temperature (°C)	-25 to +80			
Dimensions (mm)	12 Dia. x 7.5 Ht.			
Weight (g)	2			

- Value applying rated voltage (DC)
- ◆ Value applying (Min. operating DC voltage)



INTERVOX
International ©

INTERNATIONAL COMPONENTS CORPORATION
215 MCCORMICK DRIVE, BOHEMIA, NY 11716
FAX: 631-952-9595 FAX: 631-952-9597

Title:

Electro Acoustic Transducer

Intervox Model #

BRT1207P-C Series

Rev

Scale mm

Date

Sheet 1 of 1