

SPECIFICATIONS SHEET

PRODUCT TYPE : MECHANICAL BUZZER

PRODUCT SERIES : BS2316L-B

DESCRIPTION : MC BUZZER SINGLE 6VDC L/W ABS SP RoHS

COLOR : BLACK

ELECTRICAL SPECIFICATIONS

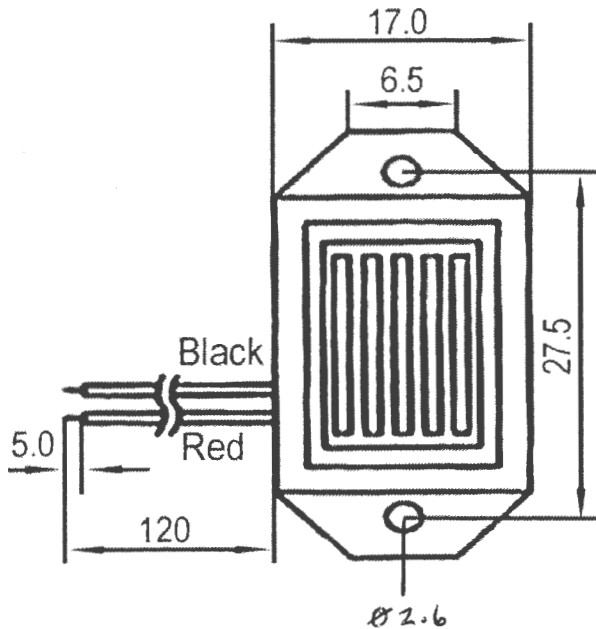
<u>MODEL NO.</u>	<u>BS2316L-06-B</u>	
<u>OPERATING VOLTAGE RANGE</u>	(VDC)	4.0 ~ 8.0
<u>RATED VOLTAGE</u>	(VDC)	6.0
* <u>MAX. RATED CURRENT</u>	(mA)	25.0
* <u>MIN. SOUND OUTPUT</u>	(dBA/ 20 cm)	75.0
* <u>FREQUENCY</u>	(Hz)	400 +/- 100
<u>TONE NATURE</u>		SINGLE
<u>OPERATING TEMPERATURE</u>	(°C)	-10 ~ +60
<u>TERMINAL</u>		LEADWIRE (UL1095 , AWG#26)
<u>HOUSING MATERIAL</u>		ABS
<u>WEIGHT</u>	(g)	10.0

* Value applying at rated voltage

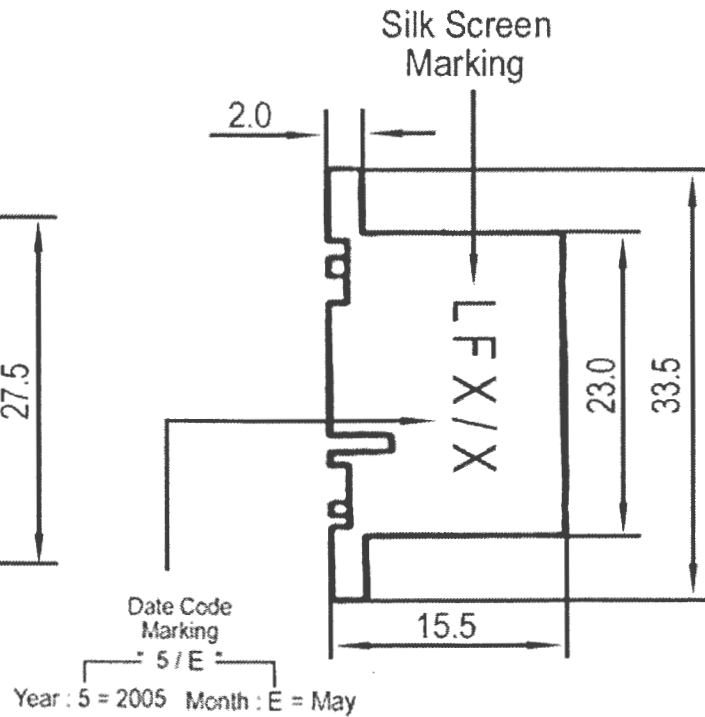
DIMENSIONS

UNIT : mm

TOP VIEW



SIDE VIEW



Modify :	Date :	By :

Ref. : 2-001

Approved By :
Date : 25-May-2005

Prepared By :
Date : 25-May-2005