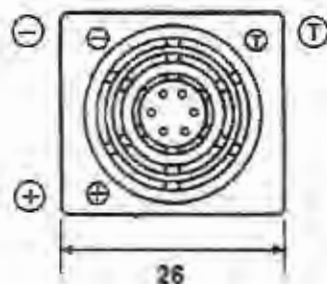


ELECTRONIC BUZZER

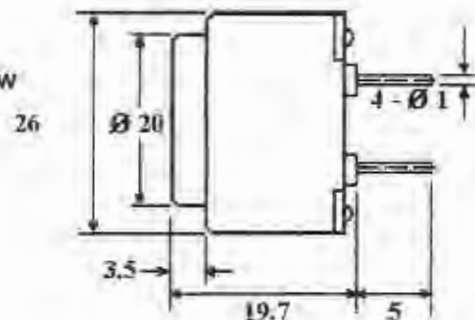
with trigger

BS2620PH Series

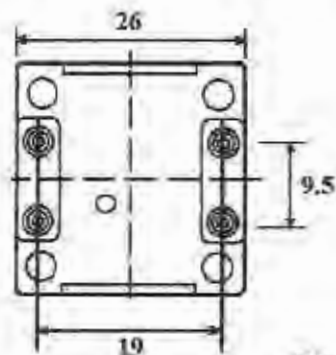
Top View



Side View



Bottom View



Dimensions in mm.

SPECIFICATIONS:

Model No.	Rated Voltage (V)	Operating Voltage (V)	Current (mA)	Output @100cm (dB)	Freq. (Hz)	Temp. (°C)
BS2620PH-03-C	3	2 ~ 4	50	75	400	- 40 to + 70
BS2620PH-06-C	6	4 ~ 8				
BS2620PH-12-C	12	8 ~ 16				
BS2620PH-24-C	24	20 ~ 28				

INTERVOX
International ©

International Components Corporation

107 Atzess Road., Melville, NY 11747 516-293-1500 FAX 516-293-4883

Title:

Electronic Buzzer

Intervox Model #
BS2620PH-Series

Rev
A

Scale: mm

Date: 6/25/93

Sheet 1 of 1