

# INTERVOX AUDIBLE SIGNAL DEVICES

## BST0904 SERIES

### ■ FEATURES

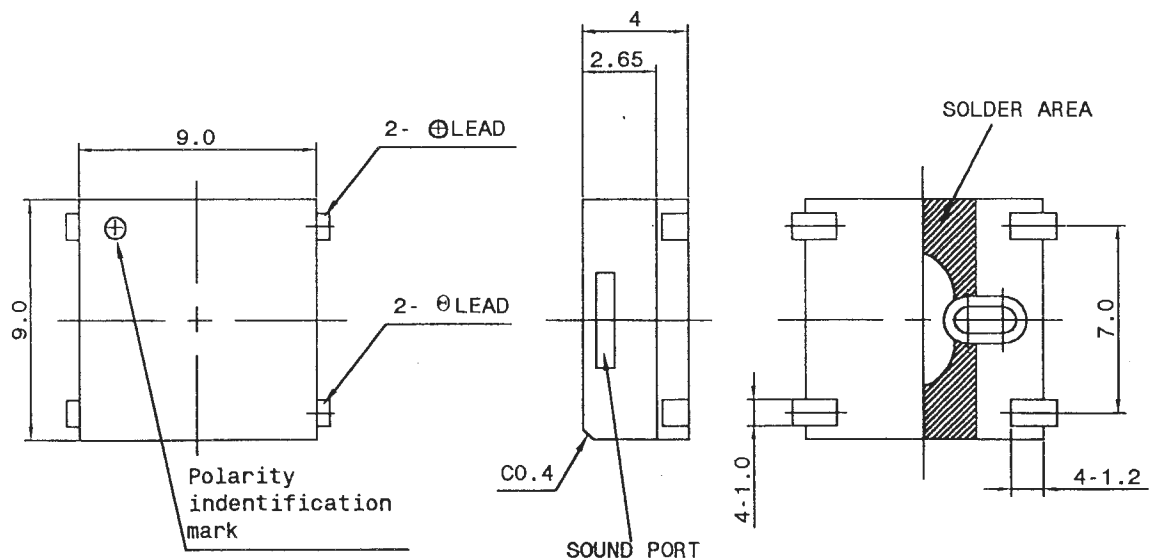
- Compact  
Small and slim size of 9.0mmW × 9.0mmL × 4.0mmH
- Low profile design
- For reflow process
- Tape and reel packing

### ■ SPECIFICATIONS

TYPE	UNIT	BST0904SM-03-4T
Rated voltage	V P-P	3.6
Operating voltage	V P-P	2.5~4.5
● Rated current	mA	Max 100
Coil resistance	Ω	16 ± 3
● Sound output at 10cm	dB(A)	Min 85(Typ 95)
Resonant frequency	Hz	2670
Operating temperature	°C	-30 to +70
Storage temperature	°C	-40 to +85
Weight	g	Max 1.0

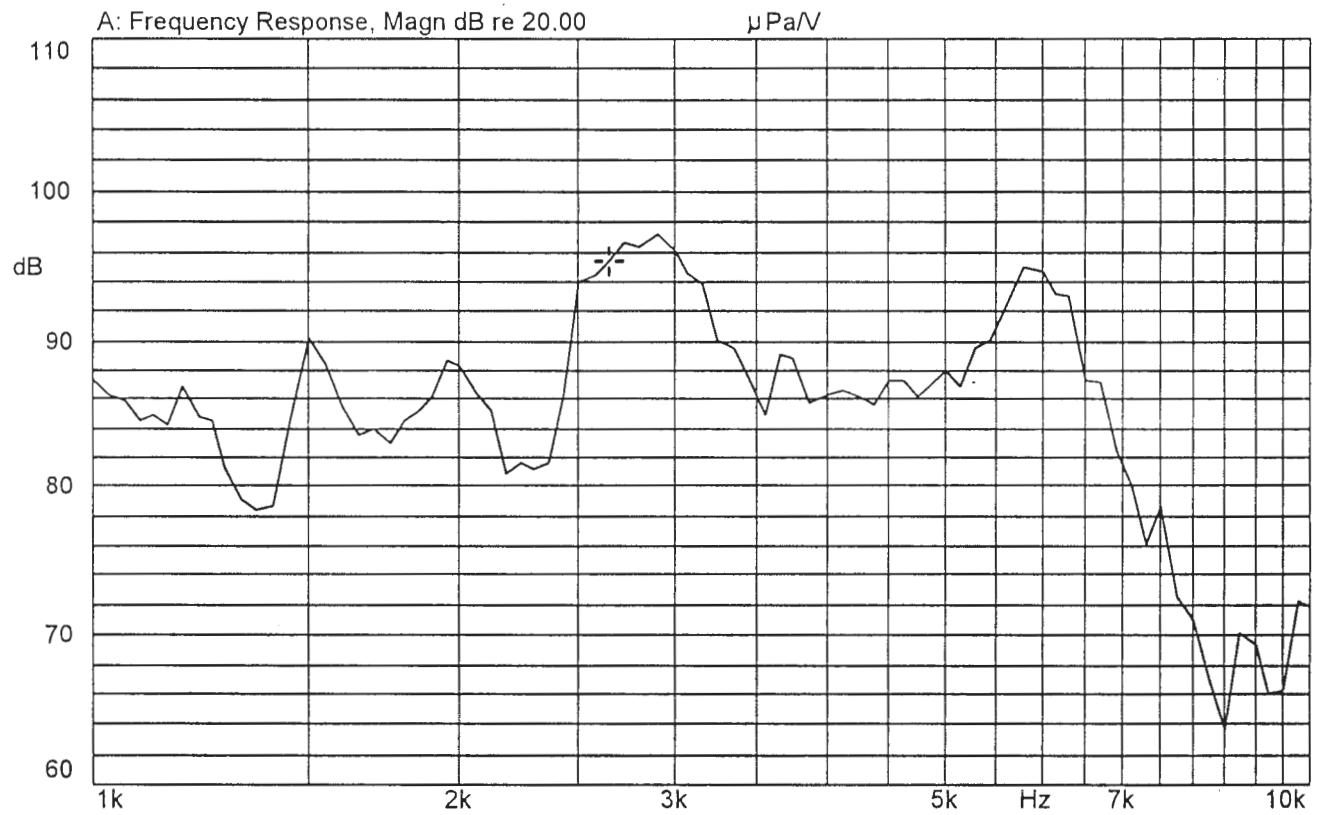
- Value applying rated voltage(2670Hz, 1/2 duty, square wave)

### ■ DIMENSIONS



unit : mm

BST0904SM-03-4T  
X:2.6500kHz Y:95.33dB ZA:Live Curve SSR T. RMS



29-JUN-2000 10:59:57

Mode: SSR

