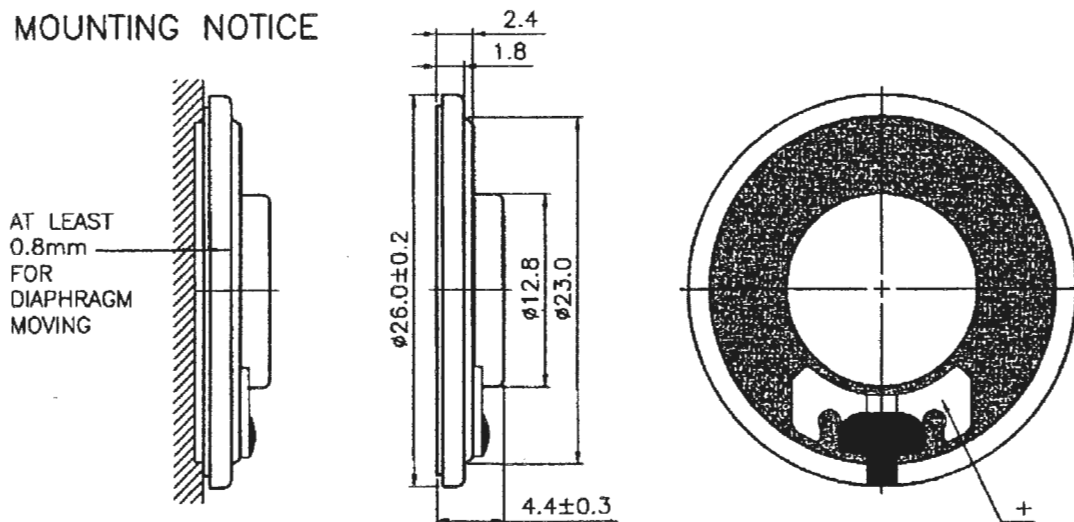


# INTERVOX Speakers from International C

215 McCormick Drive, Bohemia, NY 11716 (631) 952-9595 (631) 952-9597 www.icc107.com

1.	<b>MODEL:</b>	S100RS-M			
2.	Dimension	Outer Diameter	26 mm.	Baffle Opening $\phi$	22.5 mm.
		Height	Refer to Drawing .	Weight	4.6 Grams.
3.	Magnet	Materials	Rare Earth .	Size	$\phi$ 9.5X1.5 mm.
4.	Nominal Impedance	8 $\Omega$	$\pm$ 15 %	At	1500 Hz.
5.	Power Rating	Normal	500 mW.	Maximum	1000 mW.
6.	Lowest Resonant Frequency	540	$\pm$ 20 %		Hz.
7.	Output Sound Pressure Level (S.P.L.)	83	$\pm$ 3 db /	0.5 Watt	0.5 Meter.
		Average at 600, 800, 1000, 1200 Hz.			
8.	Frequency Range	450	- 20000 Hz.	Average SPL - 10 db.	
9.	Distortion	5 %	Maximum At	1000 Hz.	500 mW.
10.	Abnormal Sound Test	Must Be Normal Test By 2.0 Volts. Sine Wave.			
11.	Load Test	White Noise With Weighted Filter 2.0 Volts.(RMS) 24 Hrs.			
12.	Polarity	Diaphragm shall move Forward when Apply a Positive DC.			
		Current to the "+" or "Marked" Terminal.			

## MOUNTING NOTICE



450

Unit : mm

Housing Material : METAL

S100RS-M

450

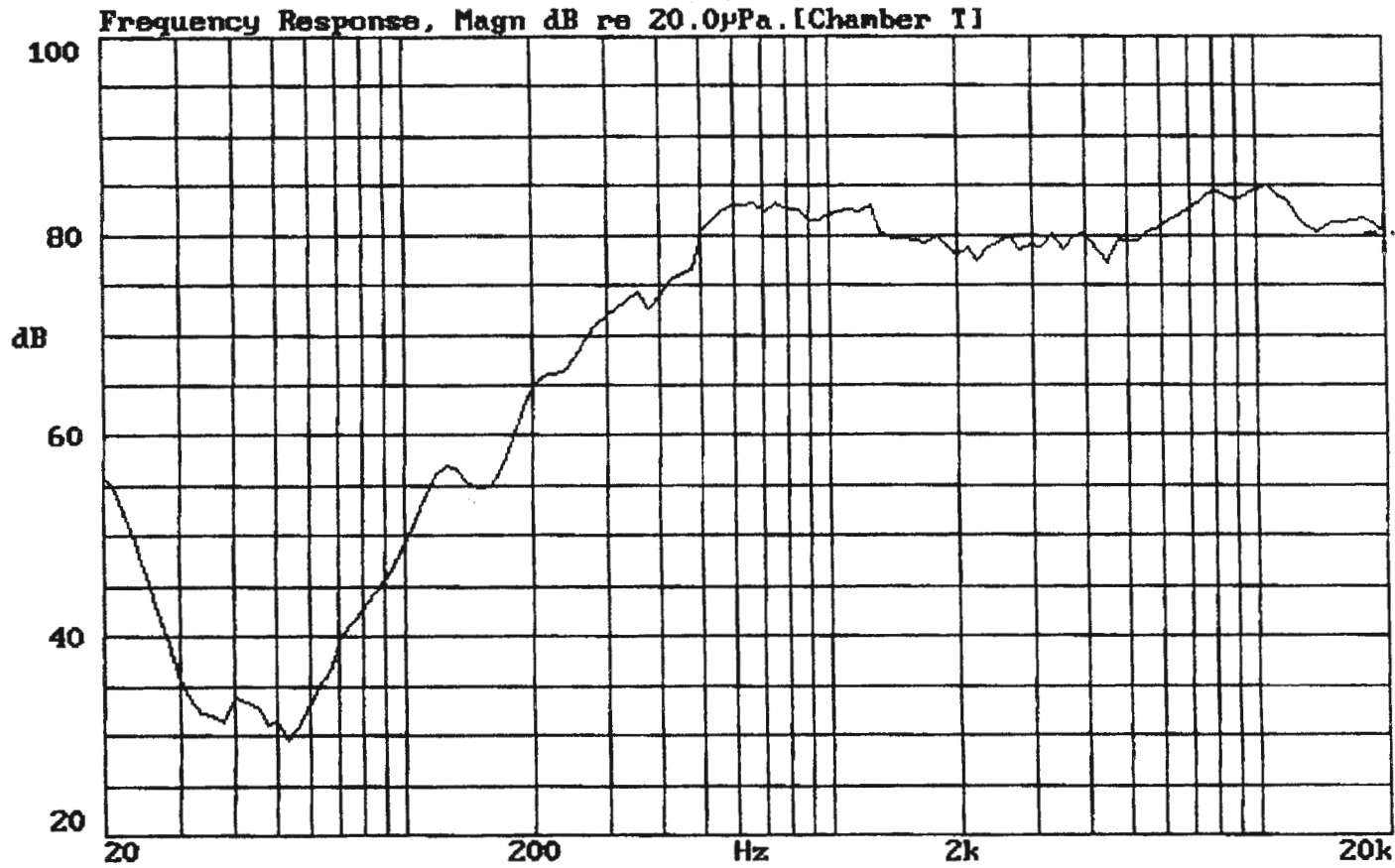
Vol:2.0 (0.5W) Dis:0.5M

X:20.000kHz

\*Y:80.46dB

ZA:Live Curve

SSR Fund.



21-NOV-1997 12:21:44

Mode: SSR

