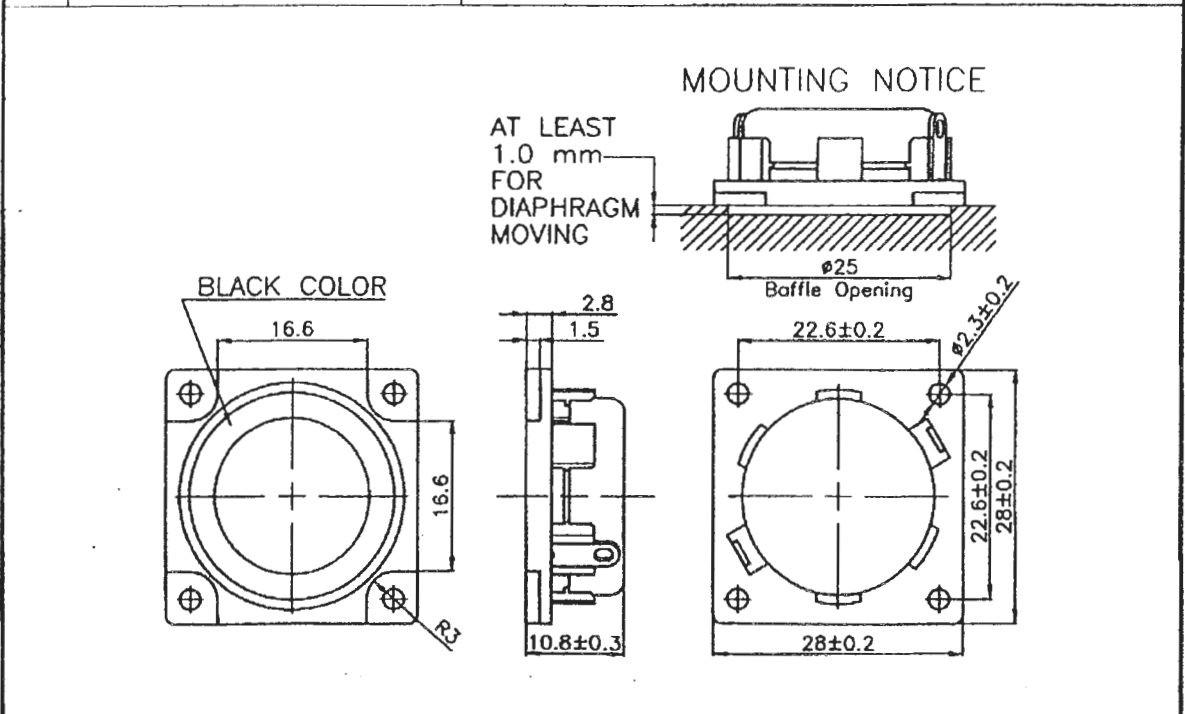


INTERVOX Speakers from International C

215 McCormick Drive, Bohemia, NY 11716 (631) 952-9595 (631) 952-9597 www.icc107.com

1.	MODEL:	S110SL				
2.	Dimension	Outer Diameter	28x 28 mm.	Baffle Opening	∅25 mm.	
		Height	Refer to Drawing	Weight	21 Grams.	
3.	Magnet	Materials	Rare Earth	Size	∅15.5 x 2.8 mm.	
4.	Nominal Resistance	8 Ω ± 15 %				
5.	Power Rating	Normal	2 W.	Maximum	3 W.	
6.	Lowest Resonant Frequency	270 ± 20 % Hz.				
7.	Output Sound Pressure Level (S.P.L.)	82 ± 3 db / 1.0 Watt · 0.5 Meter.				
		Average at	600, 800, 1000, 1200 Hz.			
8.	Frequency Range	150 ~ 20000 Hz.	Average S P L - 10 db.			
9.	Distortion	5 % Maximum At	1000 Hz.	1 W.		
10.	Abnormal Sound Test	Must be Normal Tested By	4 Volts.	Sine Wave.		
11.	Load Test	White Noise with Weighted Filter	4 Volts.(RMS)	24 Hrs.		
12.	Polarity	Diaphragm shall move Forward when Apply a Positive DC.				
		Current to the "+" or "Marked" Terminal.				



450

Unit : mm

Housing Material : PBT

S110SL

450

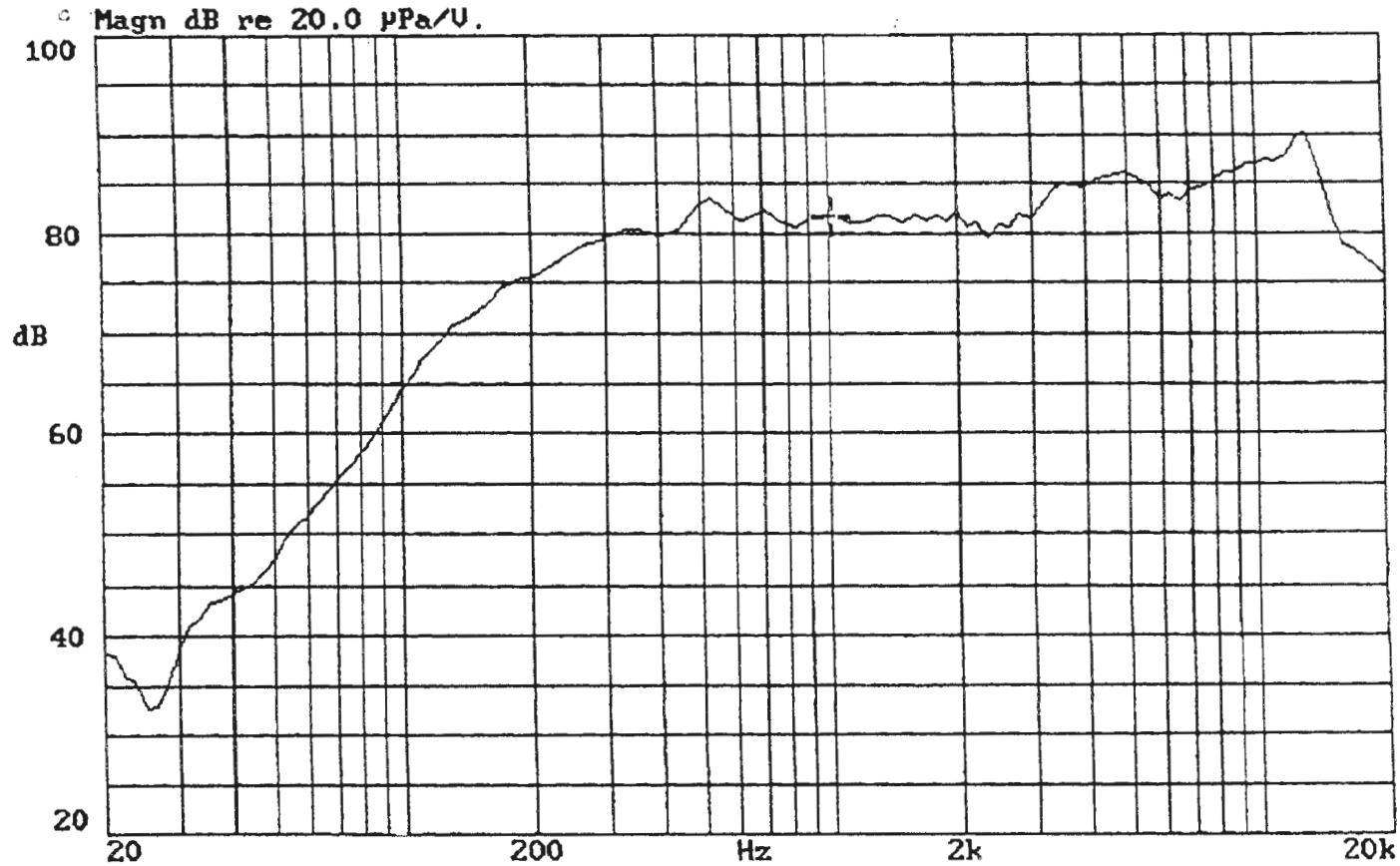
VOL:2.828V(1W) DIS:0.5M

X:1.0000kHz

*Y:81.68dB

ZA:1.0000

SSR Fund.



14-AUG-2001 13:53:52

Mode: SSR

