

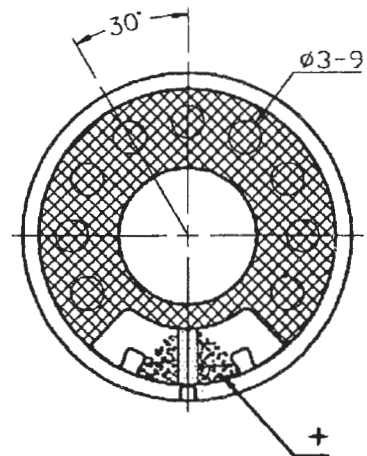
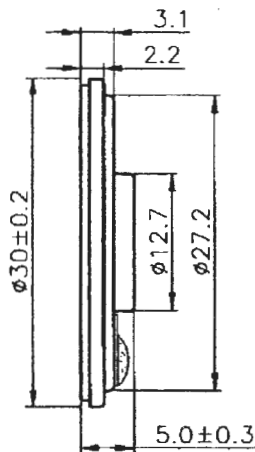
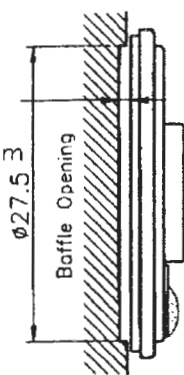
INTERVOX Speakers from International C

215 McCormick Drive, Bohemia, NY 11716 (631) 952-9595 (631) 952-9597 www.icc107.com

1.	MODEL:	S125RL-M			
2.	Dimension	Outer Diameter	30 mm.	Baffle Opening	27.5 mm.
		Height	Refer to Drawing	Weight	5.6 Grams.
3.	Magnet	Materials	Rare Earth	Size	ϕ 9.5X1.5 mm.
4.	Nominal Impedance		8 Ω \pm 15 %	At	1500 Hz.
5.	Power Rating	Normal	500 mW.	Maximum	1000 mW.
6.	Lowest Resonant Frequency		600 \pm 20 %		Hz.
7.	Output Sound Pressure Level (S.P.L.)		86 \pm 3 db / 0.5 Watt		0.5 Meter.
		Average at	600, 800, 1000, 1200		Hz.
8.	Frequency Range	400 ~ 8500	Hz.	Average SPL - 10 db.	
9.	Distortion	5 % Maximum	At	1000 Hz.	500 mW.
10.	Abnormal Sound Test	Must be Normal Tested By	2.0 Volts.		Sine Wave.
11.	Load Test	White Noise with Weighted Filter	2.0 Volts.(RMS)	24 Hrs.	
12.	Polarity	Diaphragm shall move Forward when Apply a Positive DC.			
		Current to the "+" or "Marked" Terminal.			

MOUNTING NOTICE

At least 0.8mm For Diaphragm Moving



450

Unit : mm

Housing Material : METAL

INTERVOX Speakers from International ©

S125RL-M

450

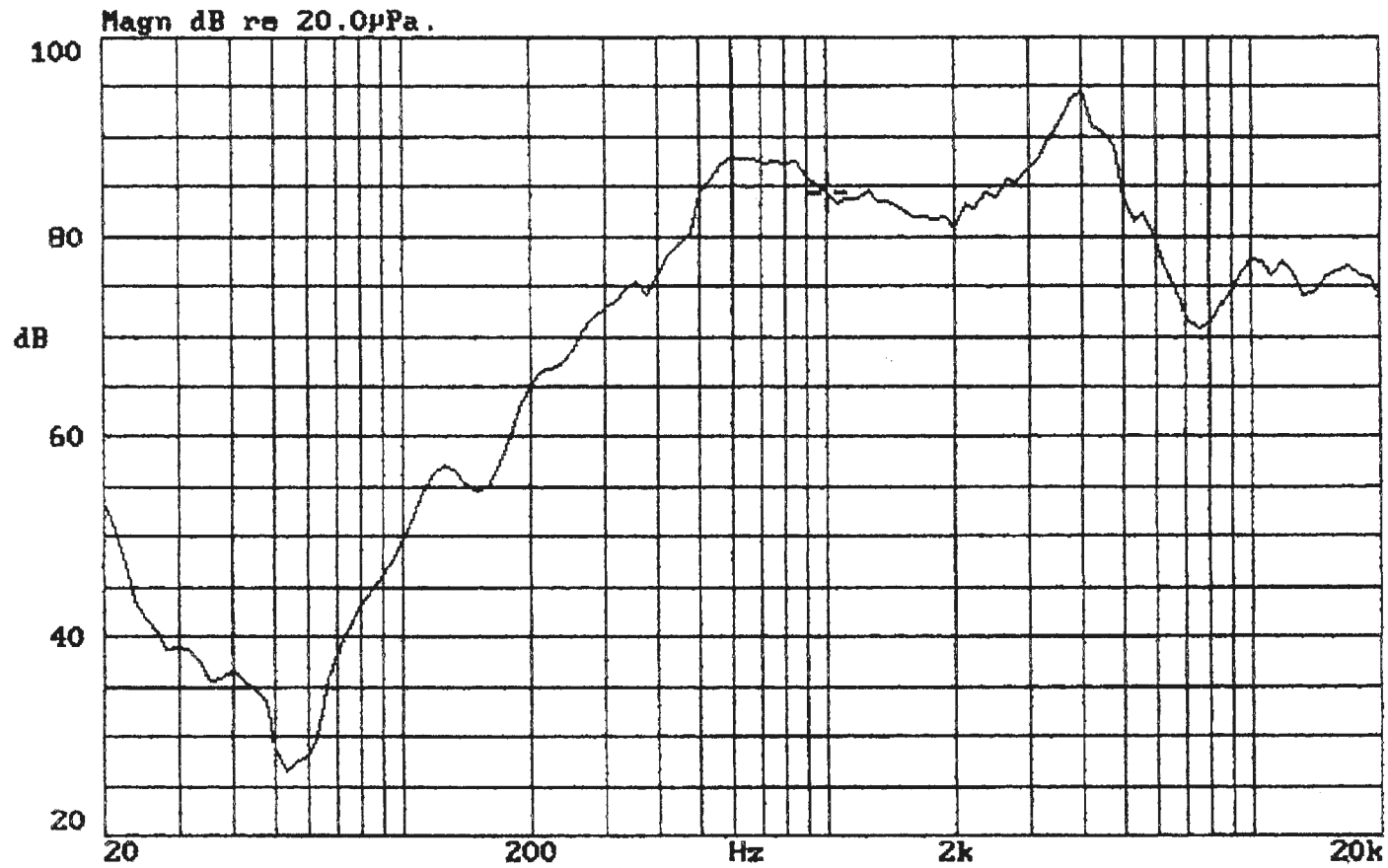
:2.0V(0.5W) DIS:0.5M

X:1.000kHz

*Y:84.44dB

ZA:1.0000

SSR Fund.



04-DEC-1999 10:29:07

Mode: SSR

