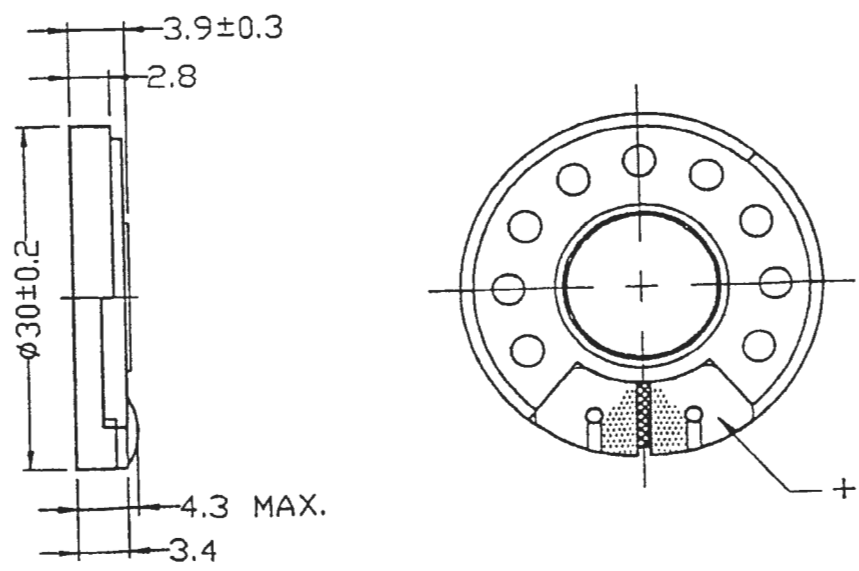


INTERVOX Speakers from International C

215 McCormick Drive, Bohemia, NY 11716 (631) 952-9595 (631) 952-9597 www.icc107.com

1. MODEL:	S125RMSS
2. Dimension	Outer Diameter 30 mm. Baffle Opening 28 mm Height Refer to Drawing. Weight 2.9 grams
3. Magnet	Materials Rare Earth Size: 9.5 \varnothing x 1.5 mm.
4. Nominal Impedance	8 ohm +/- 15 % at 1500 Hz.
5. Power Rating	Normal 100 mW. Maximum 200 mW
6. Lowest Resonant Frequency	500 +/- 150 Hz
7. Output Sound Pressure Level (S.P.L.)	77 +/- 3 dB / 0.1 Watt 0.5 Meter Average at 800, 1000, 1200, 1500 Hz
8. Frequency Range	350 ~6000 Hz. Average SPL - 10 dB
9. Distortion	5 % Maximum At 500 Hz. 100 mW
10. Abnormal Sound Test	Must be Normal Tested By 0.9 Volts. Sine Wave
11. Load Test	White Noise with Weighted Filter 0.9 Volts.(RMS) 96 Hrs.
12. Polarity	Diaphragm shall move Forward when Apply a Positive DC Current to the "+" or "Marked" Terminal



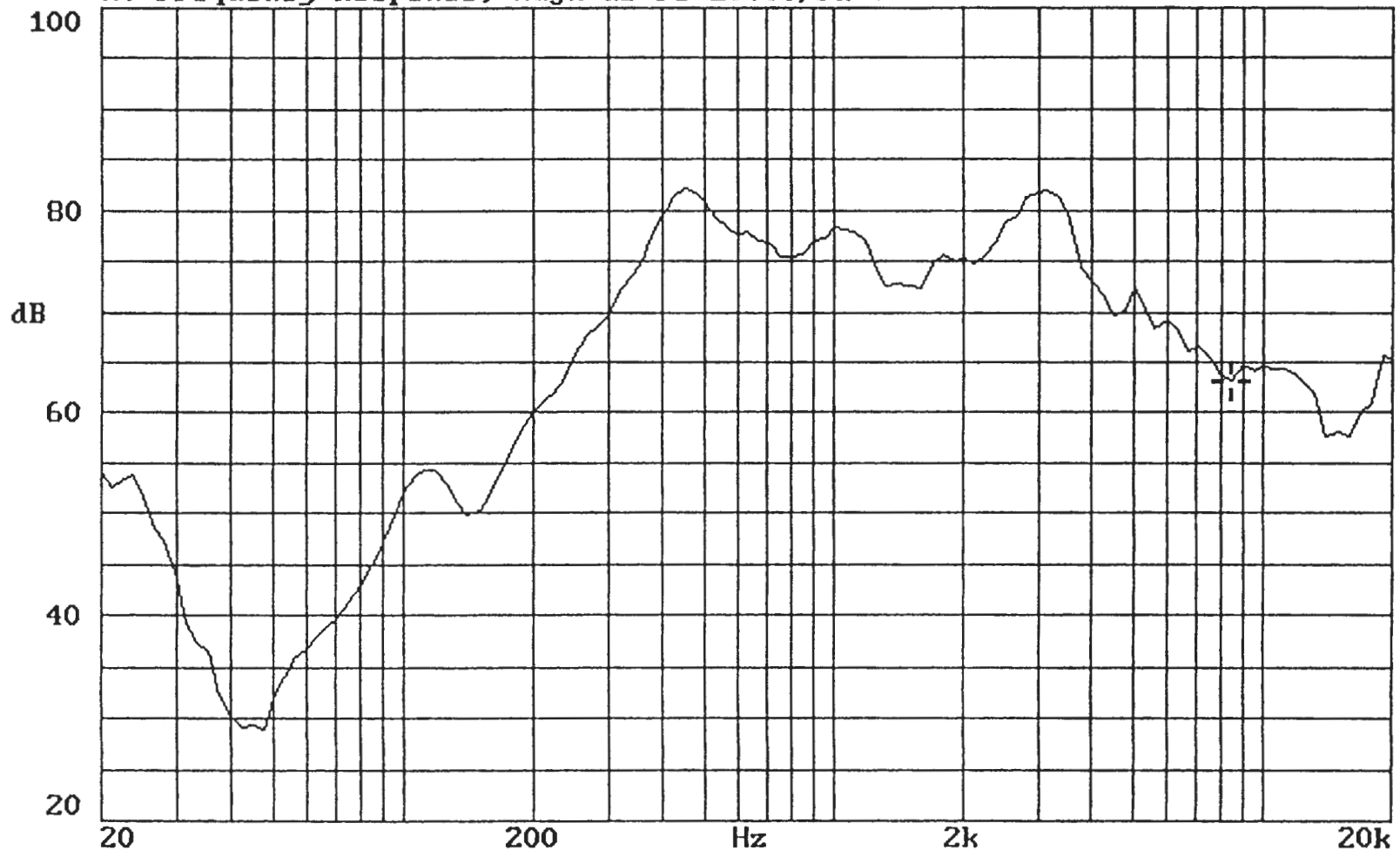
Unit: mm Tolerance: +/- 0.2 Except Specified Housing Material: ABS

INTERVOX Speakers from International C

215 McCormick Drive, Bohemia, NY 11716 (631) 952-9595 Fax: (631) 952-9597 e-mail: oemsales@icc 107.com

Vol:0.894V(0.1W) Dis:0.5M
X:8.5000kHz *Y:63.23dB ZA:Live Curve SSR Fund

A: Frequency Response, Magn dB re 20.00 μ Pa/V



07-AUG-1995 14:26:43

Mode: SPEAKER

