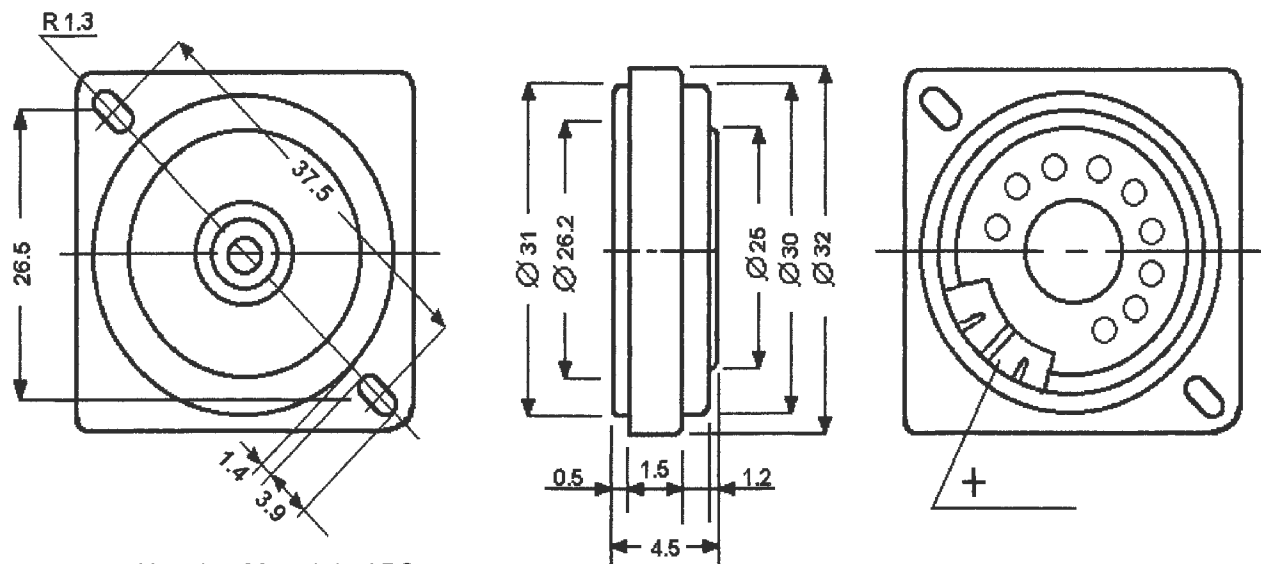


# INTERVOX Speakers from **International C**

215 McCormick Drive, Bohemia, NY 11716 (631) 952-9595 (631) 952-9597 www.icc107.com

ICC Part No.	<b>S125SLA</b>	
1. Dimension	Outer Diameter: 32 X 32 mm	Baffle Opening: 26.4mm
	Height: 4.5 mm	Weight: 3.6 grams
2. Magnet	Material: Rare Earth	Size: 9.5 X 1.5 mm
3. Voice Coil	Impedance: $8 \Omega \pm 15\%$	Diameter: 10.4 mm
4. Power Rating	Normal: 200 mW	Maximum: 400 mW
5. Resonant Frequency	800 $\pm$ 150 Hz	
6. Output S.P.L.	80 $\pm$ 3 dB/W M Average at 1.2K, 1.5K, 2K, 2.5K Hz	
	Measured (or equivalent) from 1 Meter at 1 Watt	
7. Frequency Range	FO ~ 7000 Hz Average S.P.L. - 10 dB	
8. Distortion	10% Maximum at 1500 Hz 200 mW	
9. Abnormal Sound	Must Be Normal Tested by 1.3 Volts Sine Wave	
10. Load Test	White Noise 1.3 Volts 24 Hours	
11. Polarity	Apply a Positive DC Current To The + (or marked)	
	Terminal, The Diaphragm Shall Move Forward	



Unit: mm Housing Material: ABS

# INTERVOX Speakers from International ©

Measuring Object: S125SLA 10.4 X 0.07 X 7.5 Measuring Condition: 0.89 V 0.1 W 0.1 M  
 Level Range: 60 dB Zero Level (Fundamental) : 60 dB X Axis Speed:          mm/sec  
 Impedance Range:          Ω Zero Level (Harmonic) :          dB Y Axis Speed:          mm/sec

