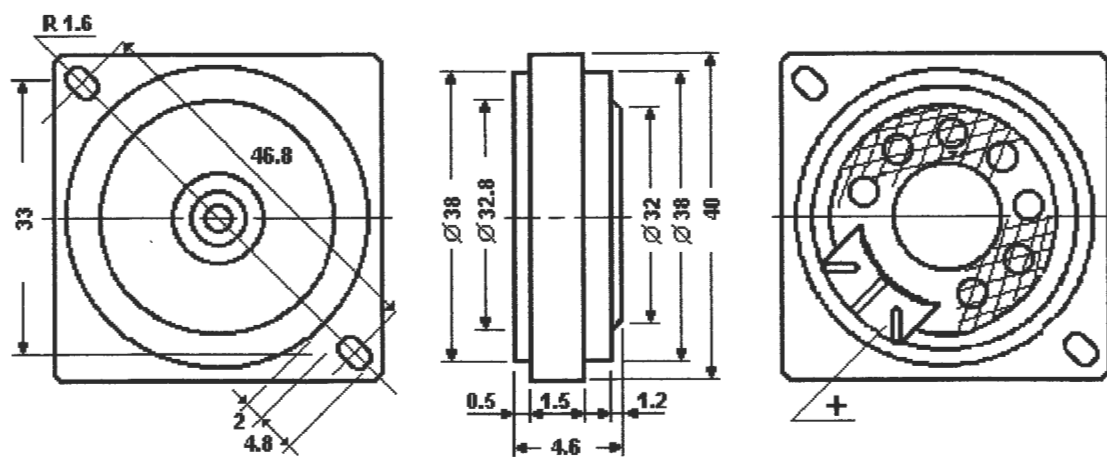


INTERVOX Speakers from **International C**

215 McCormick Drive, Bohemia, NY 11716 (631) 952-9595 (631) 952-9597 www.icc107.com

ICC Part No.	S150SLA
1. Dimension	Outer Diameter: 40 X 40mm Baffle Opening: 32.8 mm
	Height: 4.5 mm Weight: 5.8 grams
2. Magnet	Material: Rare Earth Size: 12.5 X 1.5 mm
3. Nominal Impedance	7.2 Ω \pm 15% at 1500 Hz
4. Power Rating	Normal: 200 mW Maximum: 300 mW
5. Resonant Frequency	560 \pm 150 Hz
6. Output S.P.L.	81 \pm 3 dB/W M Average at 1K, 1.2K, 1.5K, 2K Hz
	Measured (or equivalent) from 1 Meter at 1 Watt
7. Frequency Range	250 ~ 7000 Hz Average S.P.L. - 10 dB
8. Distortion	10% Maximum at 1500 Hz 200 mW
9. Abnormal Sound	Must Be Normal Tested by 1.26 Volts Sine Wave
10. Load Test	White Noise With Weighted Filter 1.26 Volts (RMS) 24 Hours
11. Polarity	Apply a Positive DC Current To The + (or marked)
	Terminal, The Diaphragm Shall Move Forward



Unit: mm

Tolerance: \pm 0.2

Housing Material: ABS

INTERVOX Speakers from International ©

Measuring Object: S150SLA Measuring Condition: 0.89 V 0.1 W 0.1 M
 Level Range: 60 dB Zero Level (Fundamental) : _____ dB X Axis Speed: _____ mm/sec
 Impedance Range: _____ Ω Zero Level (Harmonic) : _____ dB Y Axis Speed: _____ mm/sec

