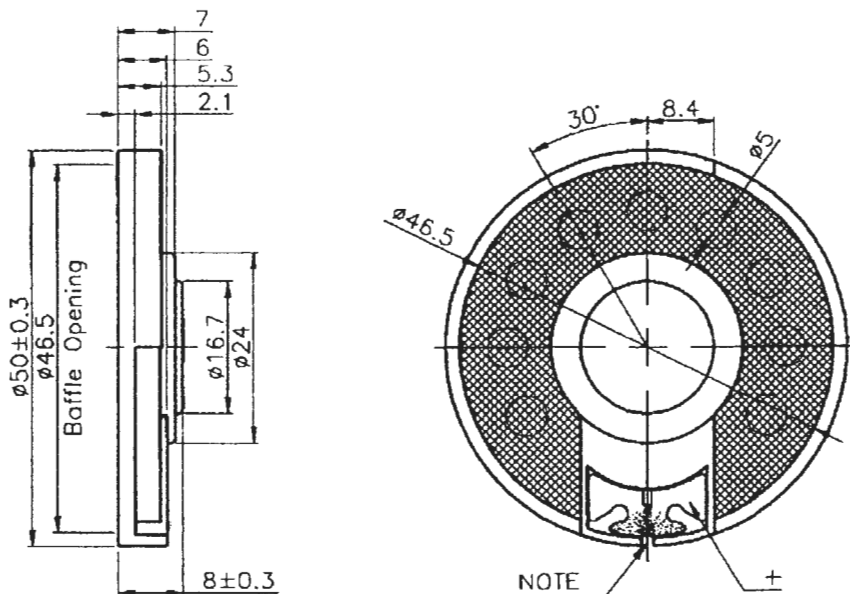


INTERVOX Speakers from International C

215 McCormick Drive, Bohemia, NY 11716 (631) 952-9595 (631) 952-9597 www.icc107.com

1.	MODEL:	S200RMS (Black Mylar)
2.	Dimension	Outer Diameter 50 mm. Baffle Opening 42.5 mm.
		Height Refer to Drawing . Weight 11.0 Grams.
3.	Magnet	Materials Rare Earth . Size ϕ 12.5x1.5 mm.
4.	Nominal Impedance	8 Ω \pm 15 % At 1500 Hz.
5.	Power Rating	Normal 200 mW. Maximum 400 mW.
6.	Lowest Resonant Frequency	350 \pm 20 % Hz.
7.	Output Sound Pressure Level (S.P.L.)	80 \pm 3 db / 0.2 Watt - 0.5 Meter.
		Average at 600, 800, 1000, 1200 Hz.
8.	Frequency Range	190 - 10000 Hz. Average SPL - 10 db.
9.	Distortion	5 % Maximum At 1000 Hz. 200 mW.
10.	Abnormal Sound Test	Must be Normal Tested By 1.3 Volts. Sine Wave.
11.	Load Test	White Noise with Weighted Filter 1.3 Volts.(RMS) 24 Hrs.
12.	Polarity	Diaphragm shall move Forward when Apply a Positive DC.
		Current to the "+" or "Marked" Terminal.



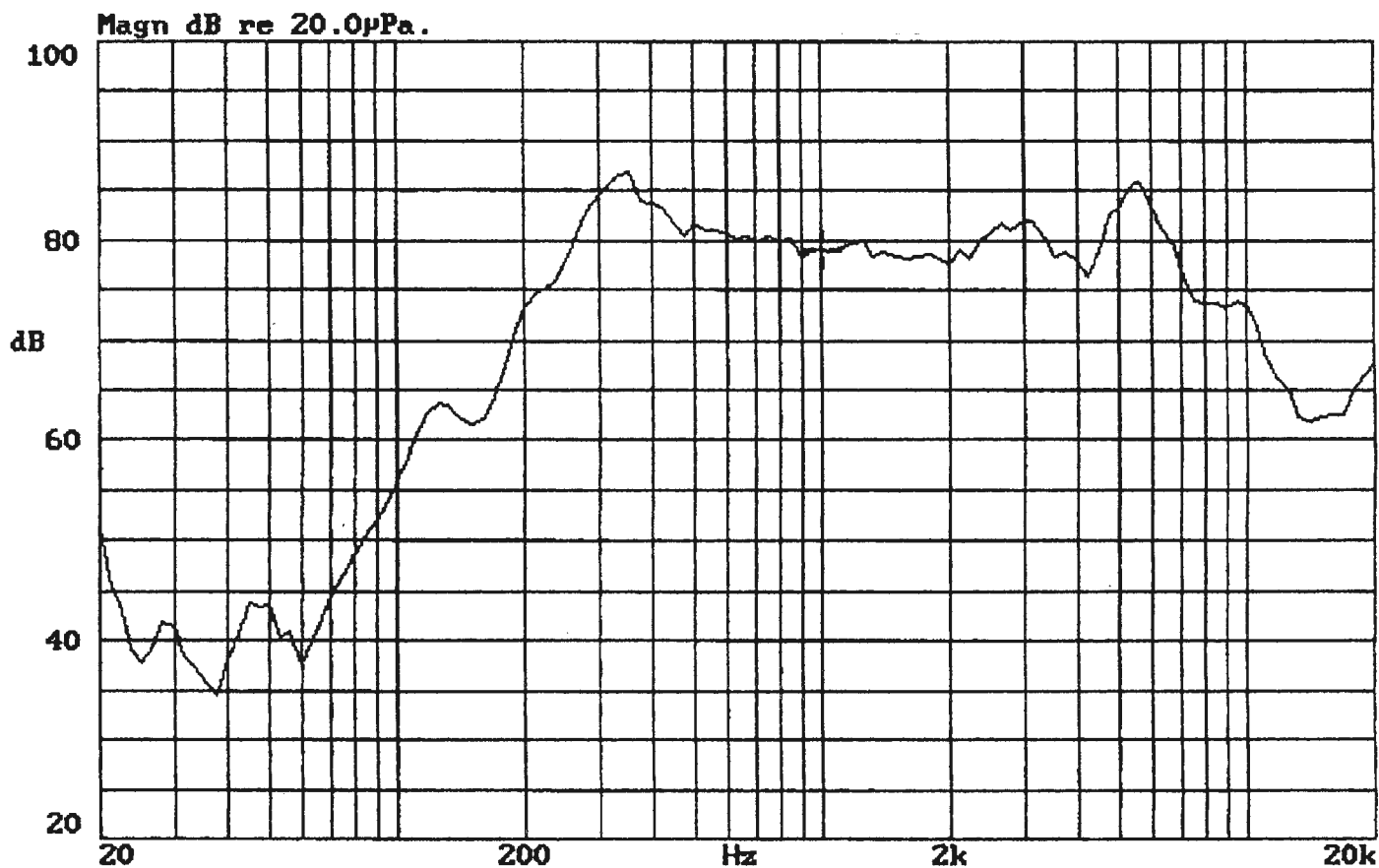
Note: This slot is reserved for VC lead wires, should not for other application

Unit : mm

Housing Material : ABS

S200RMS

Vol:1.265V(0.2W) Dis:0.5M
X:1.0000kHz *Y:79.03dB ZA:Live Curve SSR Fund.



23-JUN-1999 10:25:37

Mode: SSR

