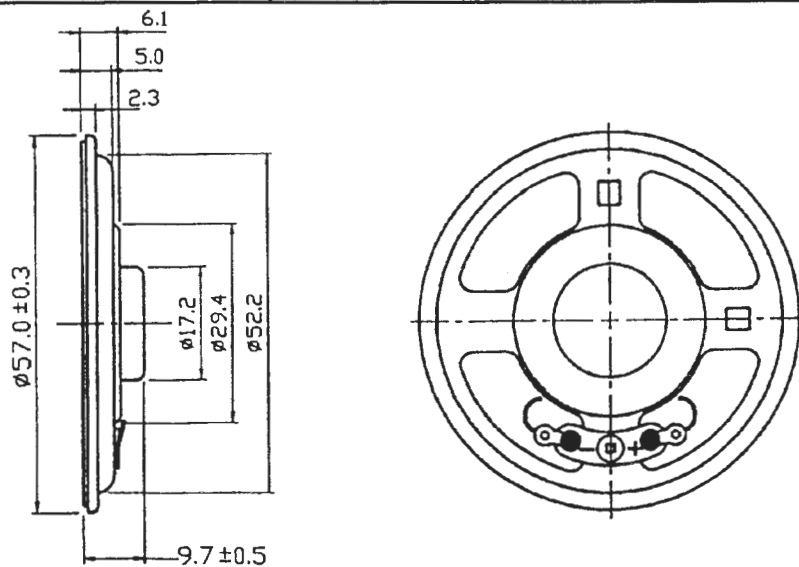


INTERVOX Speakers from **International C**

215 McCormick Drive, Bohemia, NY 11716 (631) 952-9595 (631) 952-9597 www.icc107.com

1. MODEL:	S225RL
2. Dimension	Outer Diameter 57 mm. Baffle Opening 51.8 mm Height Refer to Drawing. Weight 14.8 grams
3. Magnet	Materials Rare Earth Size: 12.5 Ø x 1.5 mm.
4. Nominal Impedance	8 ohm +/- 15 % at 1000 Hz.
5. Power Rating	Normal 300 mW. Maximum 500 mW
6. Lowest Resonant Frequency	390 +/- 150 Hz
7. Output Sound Pressure Level (S.P.L.)	93 +/- 3 dB / 0.3 Watt 0.5 Meter Average at 600, 800, 1000, 1200 Hz
8. Frequency Range	200 ~3800 Hz. Average SPL - 10 dB
9. Distortion	10 % Maximum At 400 Hz. 300 mW
10. Abnormal Sound Test	Must be Normal Tested By 1.6 Volts. Sine Wave
11. Load Test	White Noise with Weighted Filter 1.6 Volts. (RMS) 24 Hrs.
12. Polarity	Diaphragm shall move Forward when Apply a Positive DC Current to the "+" or "Marked" Terminal



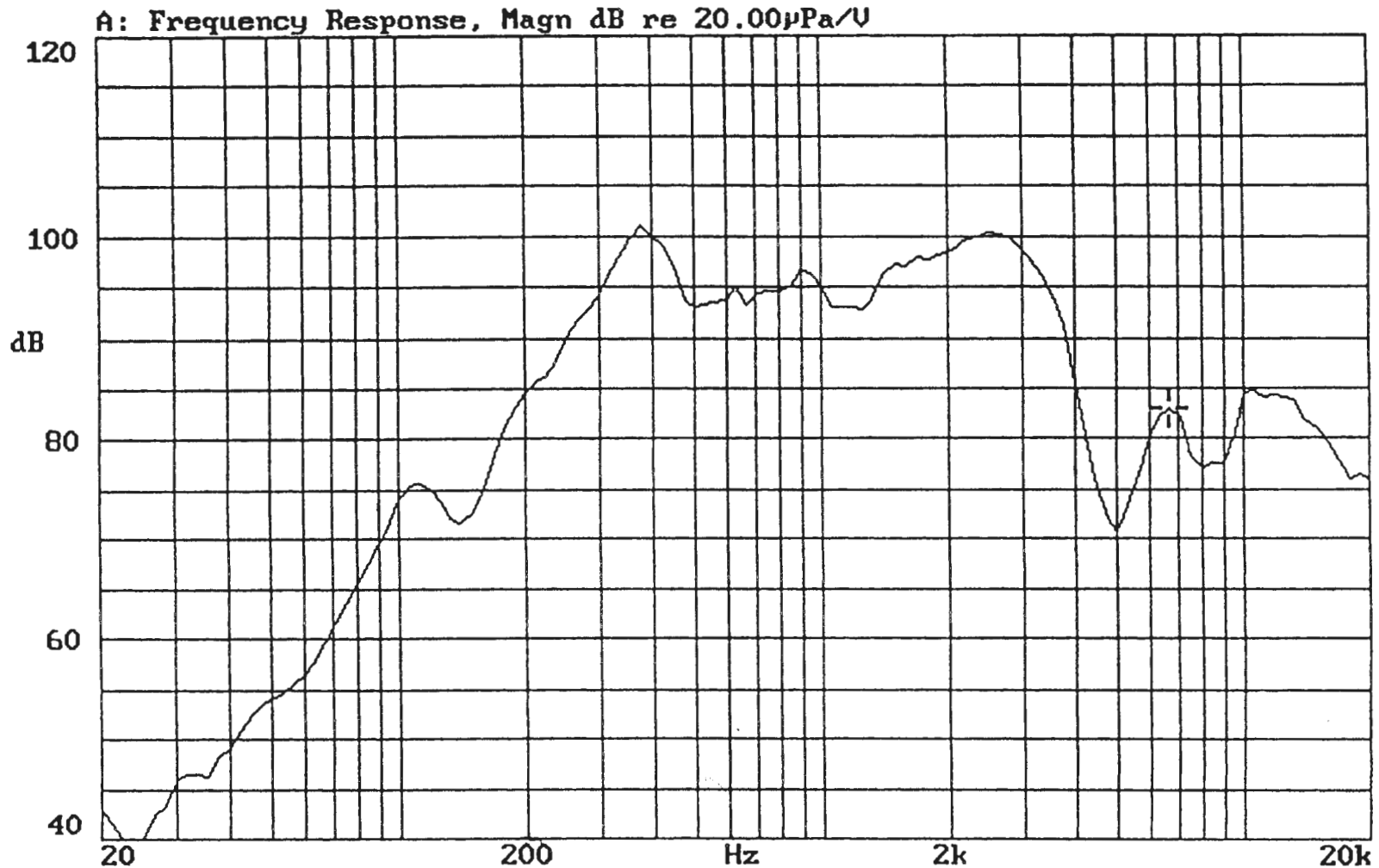
Unit: mm

Housing Material: METAL

INTERVOX Speakers from International ©

Measuring Object: S225RL Measuring Condition: 1.549 V 0.3 W 0.5 M
Level Range: 82.94 dB Zero Level (Fundamental): _____ dB X Axis Speed: _____ mm/sec
Impedance Range: _____ Ω Zero Level (Harmonic): _____ dB Y Axis Speed: _____ mm/sec

X:6.7000kHz *Y:82.94dB ZA:Live Curve SSR Fund.



25-FEB-1995 10:16:22

Mode: SPEAKER