

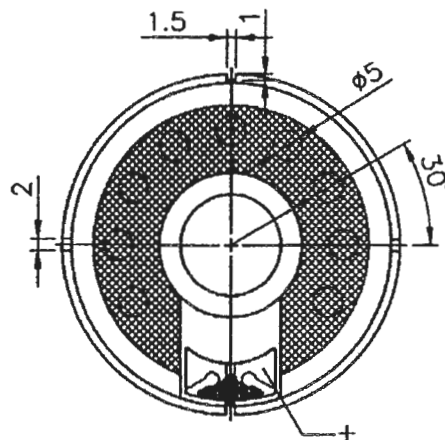
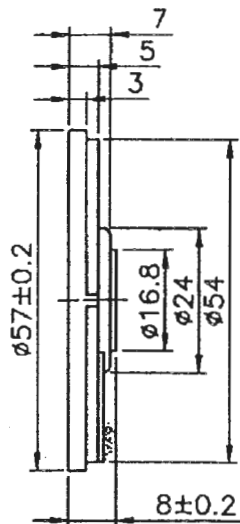
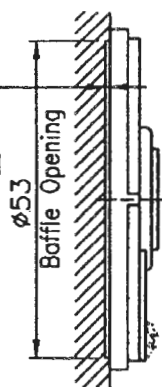
INTERVOX Speakers from International C

215 McCormick Drive, Bohemia, NY 11716 (631) 952-9595 (631) 952-9597 www.icc107.com

1.	MODEL:	S225RMS			
2.	Dimension	Outer Diameter	57 mm.	Baffle Opening	53 mm.
		Height	Refer to Drawing	Weight	12 Grams.
3.	Magnet	Materials	Rare Earth	Size	∅ 12.5 x 1.5 mm.
4.	Nominal Impedance	8 Ω	± 15 %	At	1500 Hz.
5.	Power Rating	Normal	200 mW.	Maximum	400 mW.
6.	Lowest Resonant Frequency	350	± 20	%	Hz.
7.	Output Sound Pressure Level (S.P.L.)	80	± 3 db /	0.2 Watt	0.5 Meter.
		Average at 600, 800, 1000, 1200 Hz.			
8.	Frequency Range	200	~ 20000	Hz.	Average SPL - 10 db.
9.	Distortion	5 %	Maximum At	1000 Hz.	200 mW.
10.	Abnormal Sound Test	Must Be Normal Test By 1.3 Volts. Sine Wave.			
11.	Load Test	White Noise With Weighted Filter 1.3 Volts.(RMS) 24 Hrs.			
12.	Polarity	Diaphragm shall move Forward when Apply a Positive DC.			
		Current to the "+" or "Marked" Terminal.			

MOUNTING NOTICE

AT LEAST
0.8mm
FOR
DIAPHRAGM
MOVING



450

Unit : mm

Housing Material : ABS

INTERVOX Speakers from International ©

S225RMS

450

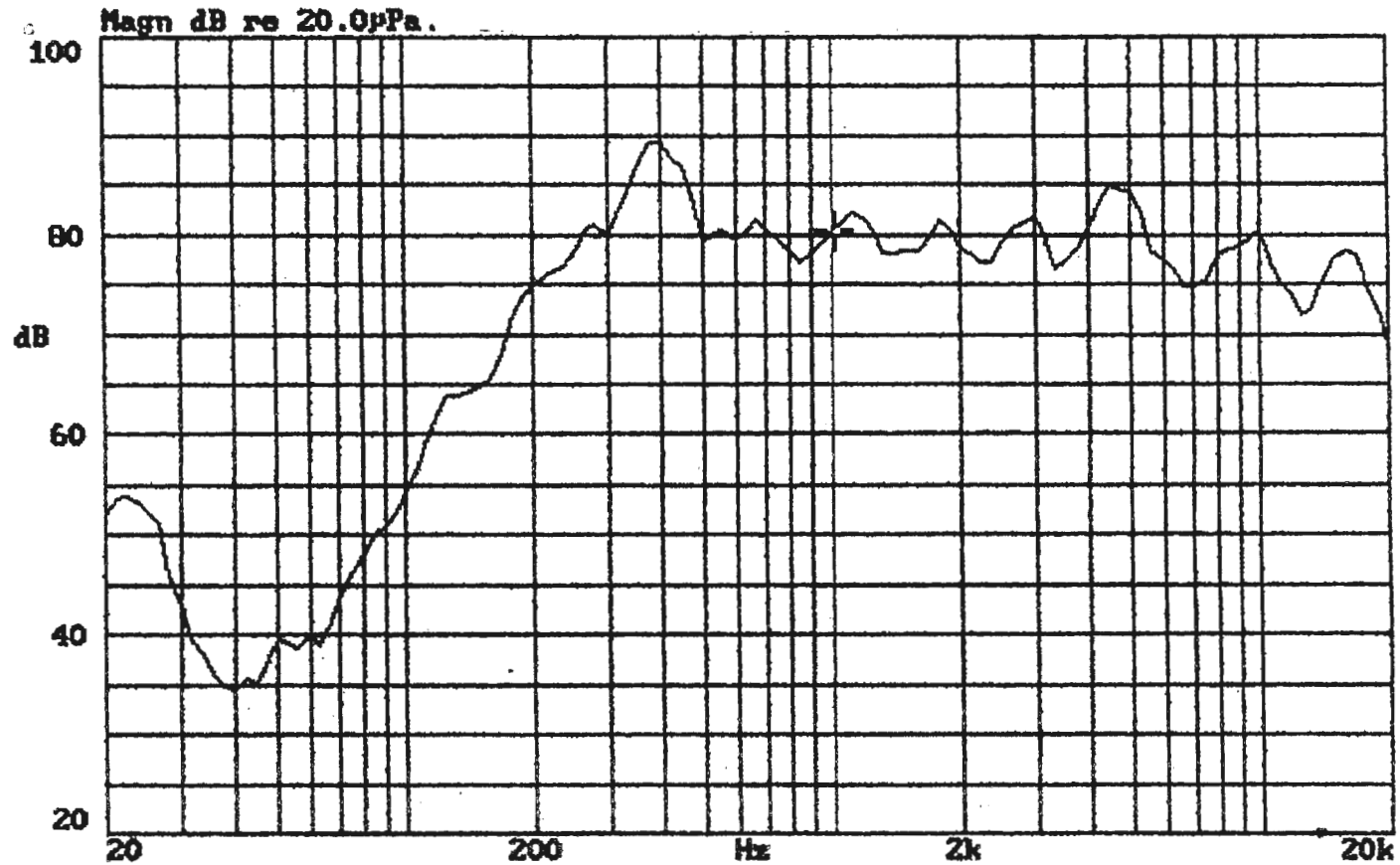
VOL:1.265V(0.2W) DIS:0.5M

X:1.0000kHz

*Y:80.48dB

ZA:Live Curve

SSR Fund.



04-JUN-2001 14:30:42

Mode: SPEAKER

