

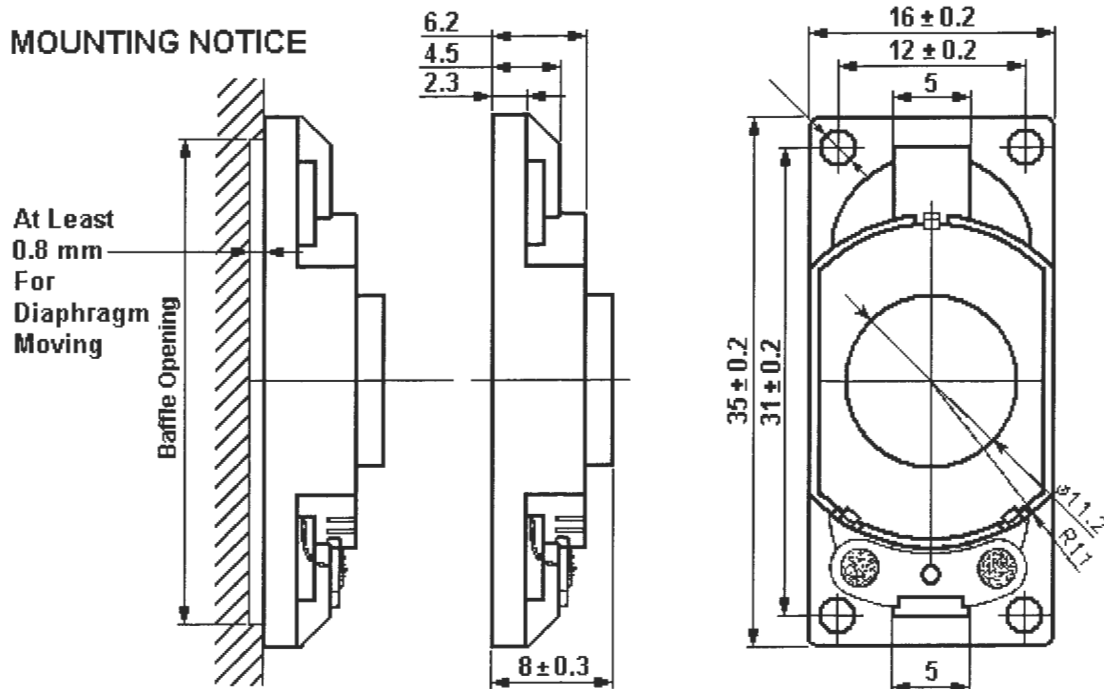
# INTERVOX Speakers from International ©

215 McCormick Drive, Bohemia, NY 11716 (631)952-9595 ♦ Fax: (631) 952-9597 ♦ e-mail: oemsales@icc107.com

Code No. G50

1.	<b>MODEL:</b>	<b>SR60X14VN</b>	
2.	Dimension & Weight	Outer Diameter 16x35 mm	Baffle Opening 15x32 mm
		Height Refer to drawing	Weight 4.2 Grams
3.	Magnet	Materials Rare Earth	Size $\phi$ 8.0 x2 mm
4.	Nominal Impedance	8 $\Omega$ $\pm$ 15 %, At 1200 Hz.	
5.	Power Rating	Normal 1.0 Watts	Maximum 2.0 Watts Sine Wave.
		Normal Watts	Maximum Watts Square Wave.
6.	Resonant Frequency	550 $\pm$ 20 % Hz.	
7.	Output Sound Pressure Level (S.P.L.)	84 $\pm$ 3 db/ 1.0 Watt • 0.5 Meter	
		Average at 600, 800, 1000, 1200 Hz.	
8.	Frequency Range	380 ~ 3000 Hz. Average SPL - 10 db.	
9.	Distortion	5 % Maximum At 1000 Hz. 1.0 W.	
10.	Abnormal Sound test	Must be Normal Tested By 2.9 Volts. Sine Wave.	
11.	Load Test	White Noise 2.9 Volts. (RMS.) 24 Hours.	
12.	Polarity	Diaphragm shall move Forward while Apply a Positive DC Signal to the "+" or "Marked" Terminal.	

## MOUNTING NOTICE



Unit: mm

Housing material: PBT

# INTERVOX Speakers from International ©

215 McCormick, Bohemia, NY 11716 (631) 952-9595 • Fax: (631)952-9597 • e-mail: oemsales@icc107.com

## SR60X14VN

G50

VOL: 2.828V (1.0W)

DIS: 0.5M

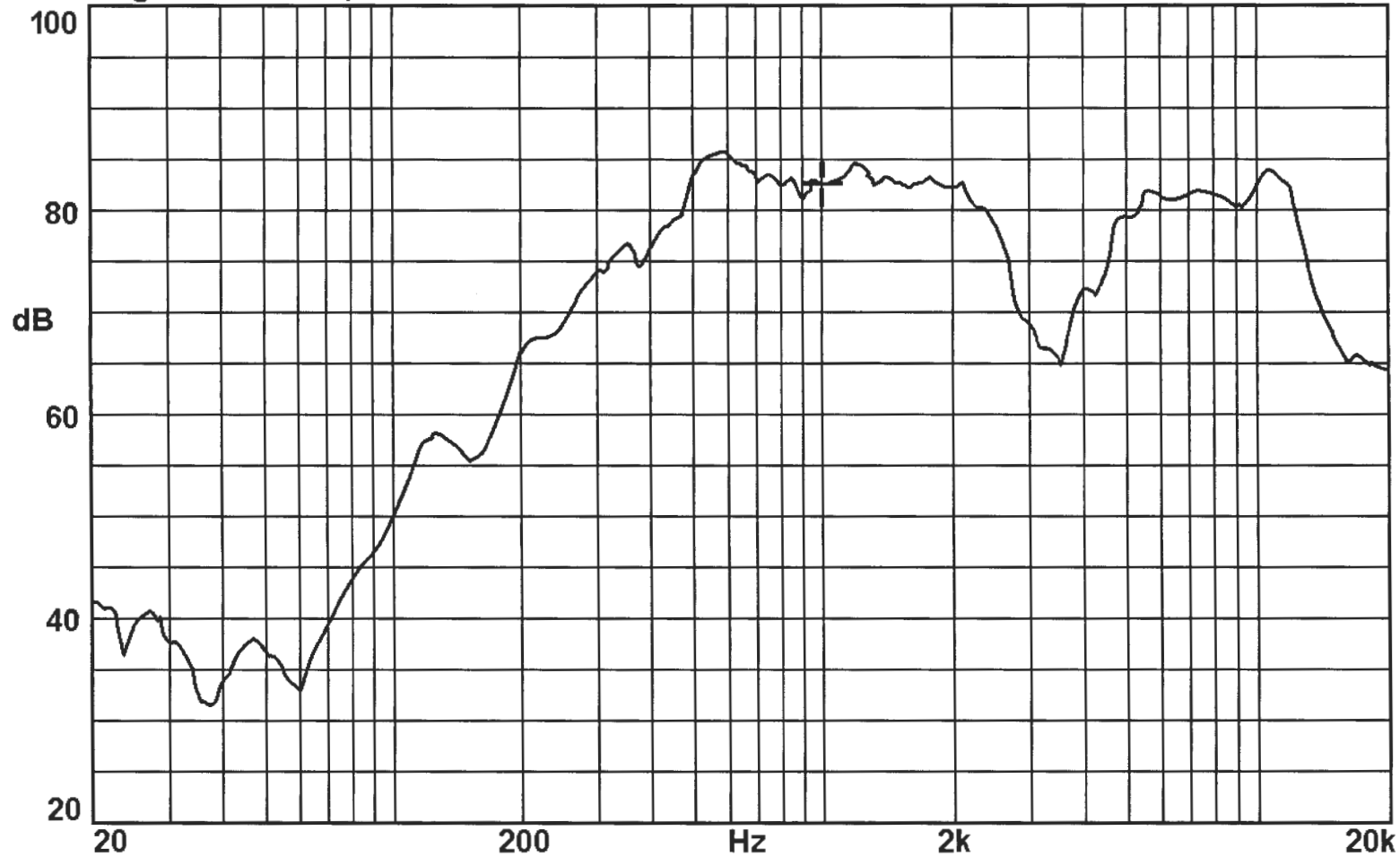
X: 1.0000kHz

\*Y: 82.59 dB

ZA: Live Curve

SSR Fund

Magn dB re 20.0  $\mu$ Pa



01-OCT-1999 16:06:18  
Mode: SPEAKER

