



International Components Corporation

215 McCormick Drive, Bohemia, NY 11716

TEL : 631-952-9595 FAX: 631-952-9597 www.icc107.com

1	MODEL:	SR700RMS-2W	
2	Cone and edge type:	Cone : PEI	Edge : SPONGE
3	Dimension & Weight	Outer ϕ 18 mm	
		Baffle ϕ 17.4 mm	
		Height Refer to drawing	Weight 4.2Grams
4	Magnet	Materials Nd FeB	Size ϕ 11.6x1.7mm
5	DC Resistance	8 $\Omega \pm 15\%$,	On Ohm Meter
6	Power Rating	Normal 2.0 Watts	Maximum 2.5 Watts Sine Wave.
		Normal Watts	Maximum Watts Square Wave.
7	Resonant Frequency	420 $\pm 20\%$ Hz.	
8	Output Sound Pressure Level (S.P.L.)	79 ± 3 db/ 1.0 Watt. 0.5 Meter	
		Average at 800, 1000, 1200, 1500 , Hz.	
9	Frequency Range	FO ~ 20000 Hz. Average SPL – 10 db.	
10	Distortion	5 % Maximum At 1000 Hz. 1.0 Watt. 0.5 Meter	
11	Abnormal Sound test	Must be Normal Tested By 4.0 Volts. Sine Wave.	
12	Load Test	Pink noise with HPF(High Pass Filter 235HZ-3db-11db/Oct)4.0 Volts(RMS.)96hours	
13	Polarity	Diaphragm shall move Forward while Apply a Positive DC Signal to the "+" or "Marked "Terminal.	

Above Measuring condition under temperature: 15~35°C R.H. 25 ~75%. According to standard GB/T12060.5-2011

Mechanical and vibration test

14	High Temperature	+ 60 ± 2 °C Humidity Random for 96 Hours. (GB2423.2-81)
15	Low Temperature	- 25 ± 2 °C Humidity Random for 96 Hours. (GB2423.1-81)
16	Humidity	+ 40 ± 2 °C Relative Humidity (RH) 90 ~ 95 % 96 Hours. (GB5170.18-87)
17	Vibration	Frequency 30 ± 15 Hz, Amplitude 1.5 mm for 3 Hours. (GB11606.8-89)
18	Drop test	75 CM free falling on Concrete floor, 10 times. (GB2423. 8-81)

After test leave speakers at room temperature for 1 hour, SPL shall not deviate by ± 3 db from pre-test Measurement, and meet above spec. item 6. 7. 8. 9. 10.

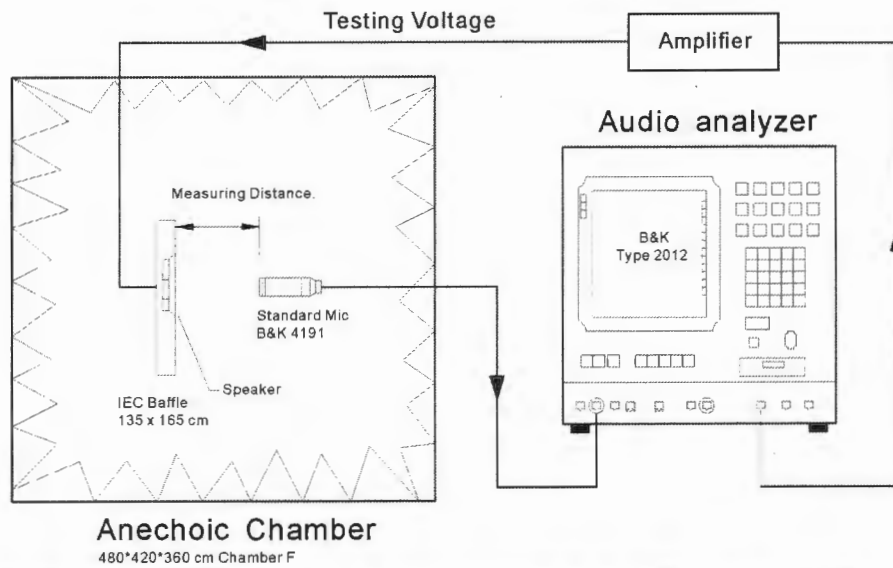
19	Temperature Cycle test	- 25 ~ + 60 °C 4 Cycles Temperature tests. (GB5170.18-87)
----	------------------------	---

After test leave speakers at room temperature for 1 hour, SPL shall not deviate by ± 3 db from pre-test Measurement, and meet above spec. item 6. 7. 8. 9. 10.

Please refer to next pages for more detailed testing method.

Test method and User precaution.

1. Characteristics measured according to standard GB/T12060.5-2011
 - 1.1 Except other specified, measuring are under Temperature 15~35°C R.H. 25 ~75%
 - 1.2 Judgement condition Temperature 20 ±2 R.H. 63~67%
 - 1.3 Product shelf life is valid for 12 months only.
2. Output Sound Pressure Level (S.P.L.) and distortion testing setup



3. Environment & Mechanical test:

3.1 High Temperature: GB2423.2-81

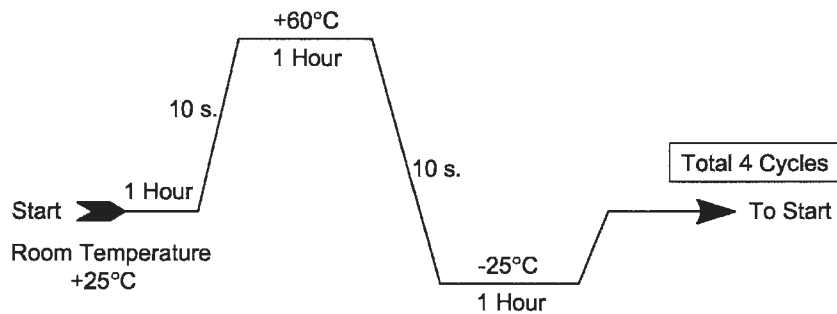
After exposure the speaker in the $+60 \pm 2$ °C chamber for 96 hours, then leave the speaker at room temperature for 1 hour, the SPL should not deviate by ± 3 db, and resonant frequency should not deviate by ± 50 Hz, compare with pre-test measurement.

3.2 Low Temperature: GB2423.1-81

After exposure the speaker in the -25 ± 2 °C chamber for 96 hours, then leave the speaker at room temperature for 1 hour, the SPL should not deviate by ± 3 db, and resonant frequency should not deviate by ± 50 Hz, compare with pre-test measurement.

3.3 Temperature cycle: GB5170.18-87

After exposure the speaker in the chamber, temperature cycle setting as below shows, SPL should not deviate by ± 3 db, and resonant frequency should not deviate by ± 80 Hz, compare with pre-test measurement.



3.4 Humidity: GB5170.18-87

After exposure the speaker in the $+40 \pm 2$ °C, relative humidity 90% ~ 95% chamber for 96 hours, then leave the speaker at room temperature for 6 hours, the SPL should not deviate by ± 3 db, and resonant frequency should not deviate by ± 50 Hz, compare with pre-test measurement.

3.5 Vibration: GB11606.8-89

Frequency 30 ± 15 Hz, Amplitude 1.5 mm for 3 Hours. After test, SPL shall not deviate by ± 3 db from pre-test measurement,

3.6 Load test: GB/T12060.5-2011

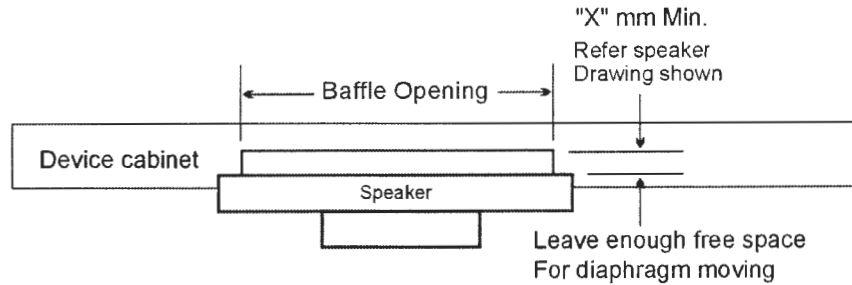
Speaker should not fail after apply 20 ~ 20K Hz Pink noise with HPF rated power input (RMS), 96 hours. After test, SPL shall not deviate by ± 3 db from pre-test measurement,

3.7 Drop test: GB2423. 8-81

75 cm free falling on concrete floor, 10 times. After test, SPL shall not deviate by ± 3 db from pre-test measurement,

4. Mounting precaution

In order to keep speaker work normally, there shall leave enough free space for diaphragm moving, minimum distance required is marked in speaker mechanical drawing.



5. Measuring & standard referenced

Abstract from GB/T12060.5-2011 and IEC 60268-5:2007 methods of measurement for main characteristics of loud speakers.

5.1 Rated sine voltage.

It is stipulated by manufacturer, sine signal voltage that make speaker work continuously in rated frequency range, but the speaker wouldn't be damaged heartily or mechanically.

The persist time of the voltage is 1 hour.

5.2 The rated sine power.

The rated sine power is corresponding with the rated sine voltage, its definition is U_s^2/R ,

U_s indicates the rated sin voltage, R indicates the rated impedance.

5.3 The rated noise power.

The rated noise power is corresponding with the rated noise voltage, its definition is U_n^2/R ,

U_n indicates the rated noise voltage, R indicates the rated impedance.

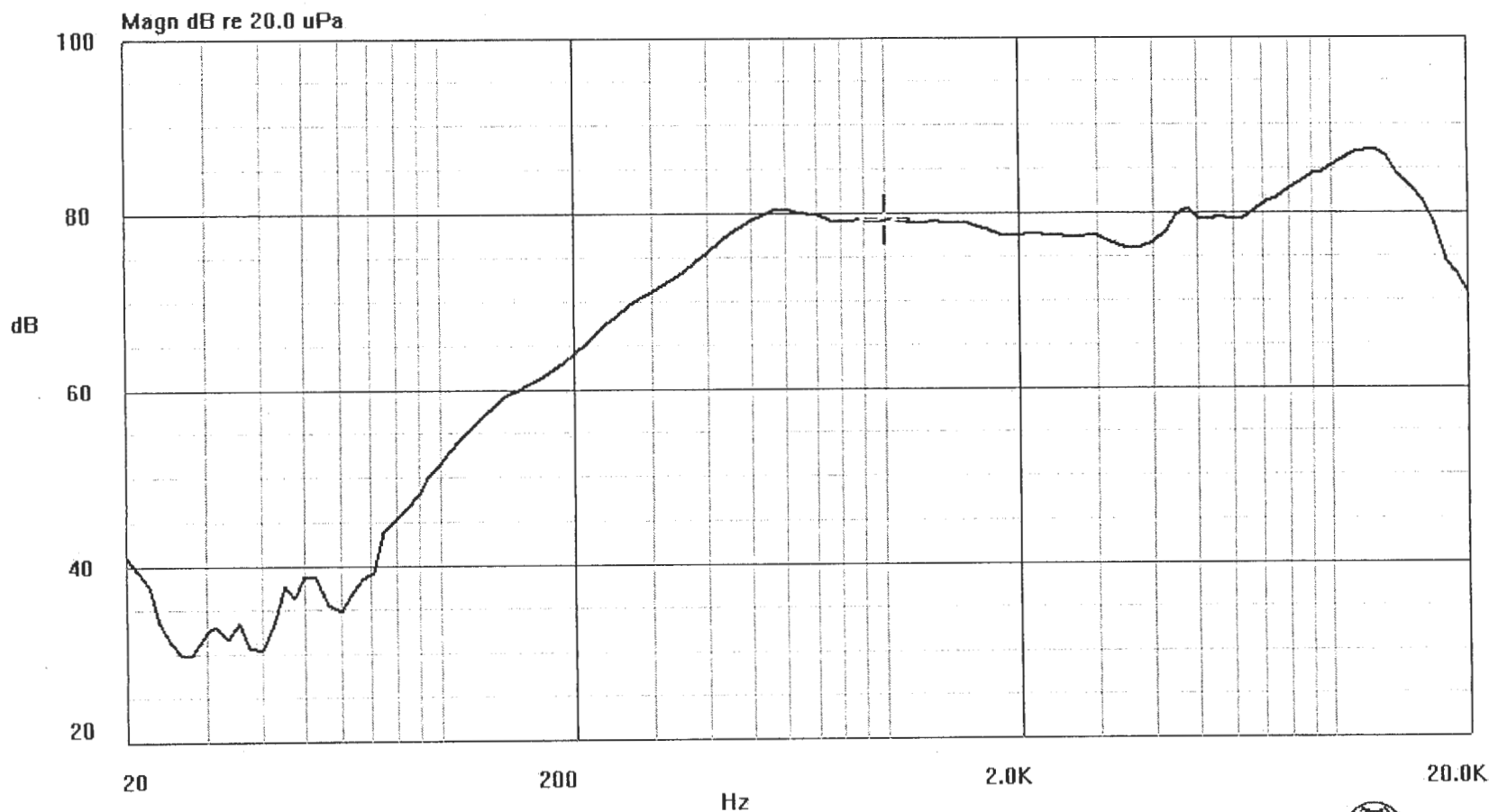


International Components Corporation

215 McCormick Drive, Bohemia, NY 11716

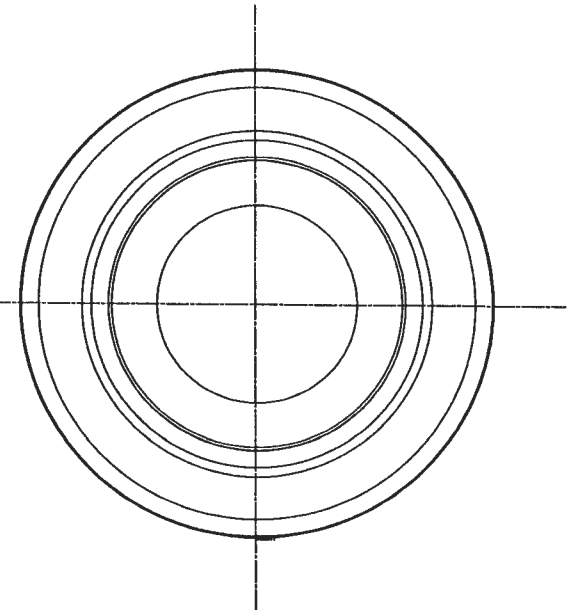
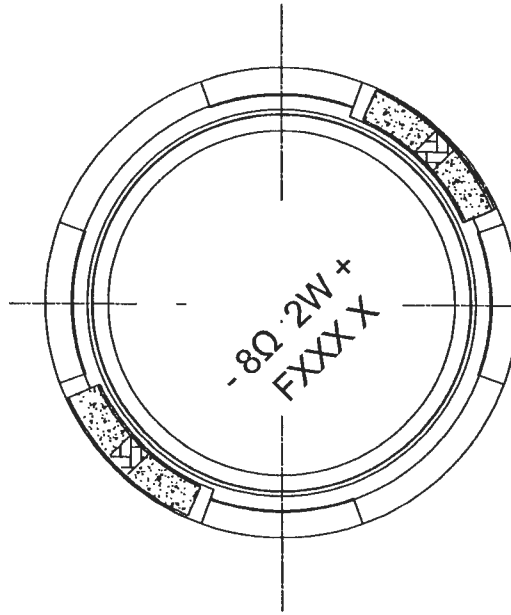
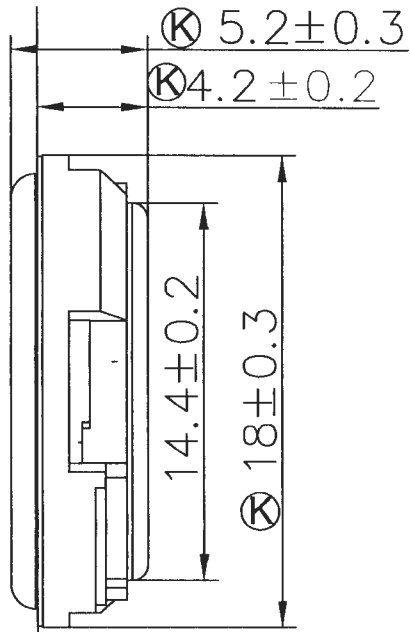
Tel: 631-952-9595 Fax: 631-952-9597 www.icc107.com

SR700RMS-2W VOL:2.83V [1W] DIS:0.5M



Current Curve: 0 X: 1000 Hz Y: 79.31 dB
Time[Y/M/D H:M:S]: 2013/ 8/12 8:52:38





振膜高於框體1.0mm
 振膜最大行程高於框體2.0mm

RANGE	TOL			✓	
0-8	±0.05	±0.1	±0.15	±0.2	±1
8-16	±0.1	±0.15	±0.2	±0.2	±2
16-24	±0.15	±0.2	±0.3	±0.3	±2
24-50	±0.2	±0.25	±0.3	±0.4	±3
50-100	±0.25	±0.3	±0.5	±0.5	±3
>100	±0.3	±0.4	±0.4	±0.8	±5

Ⓚ CRITICAL DIMENSIONS ENVIRONMENT REQUIREMENT:
 CUSTOMER PN:

DATE: 2013/01/15 MATERIAL: COLOUR:

ITEM	Y/M/D	CONTENTS OF CHANGE	SPONSOR

INTERNATIONAL COMPONENTS CORPORATION
 215 McCormick Drive, Bohemia, NY 11716
 Tel: (631) 952-9595 Fax: (631) 952-9597

SR700RMS-2W

Unit: mm

VER: 00

Appr.: 高紅華



Scale: 1:1

CHK.: 曾憲財

Dwg.: 謝丹東