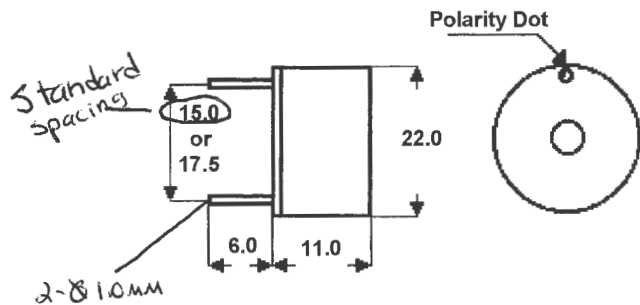
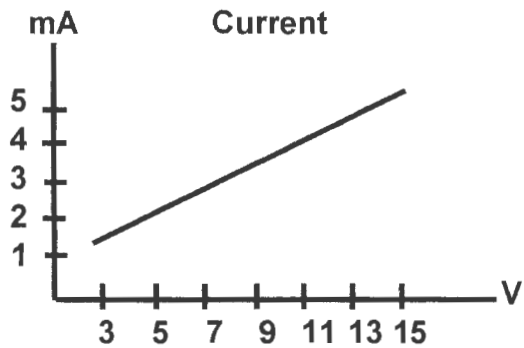
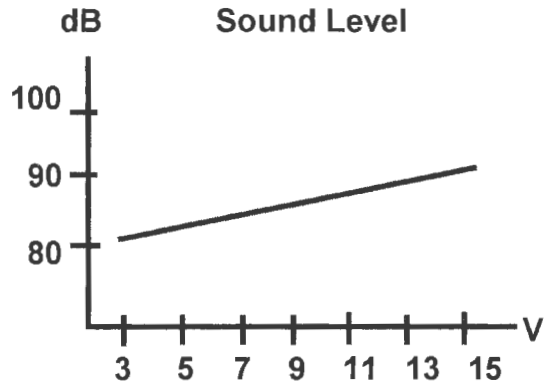


PIEZO BUZZER IN CIRCUIT TYPE BRP2211P-C SERIES



SPECIFICATIONS:

MODEL NO.	BRP2211P-12-C	BRP2211P-12-CS
RATED VOLTAGE DC (V)	12	
OPERATING VOLTAGE DC (V)	3 ~ 15	
CURRENT AT 12 VDC	4.5mA	
SOUND OUTPUT LEVEL	75dB @ 30 cm	75 dB @ 100cm
FREQUENCY (Hz)	4000 +/- 500	
OPERATING TEMP. RANGE (C)	-20 ~ +70	-40 ~ +120
CASE MATERIAL & COLOR	ABS in Black	Polycarbonate in white
CONNECTION	2 Pins with 15 or 17mm pitch	

INTERVOX
International ©
INTERNATIONAL COMPONENTS CORPORATION
215 MCCORMICK DRIVE, BOHEMIA, NY 11716
FAX: 631-952-9595 FAX: 631-952-9597

Title:

Piezo Buzzer in Circuit Type

Intervox Model #

BRP2211P-C

Rev
A

Scale:

Date: 2/16/93

Sheet 1 of 1