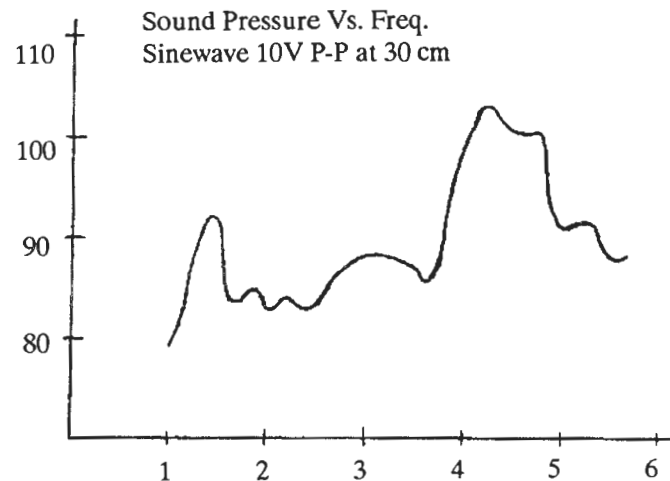
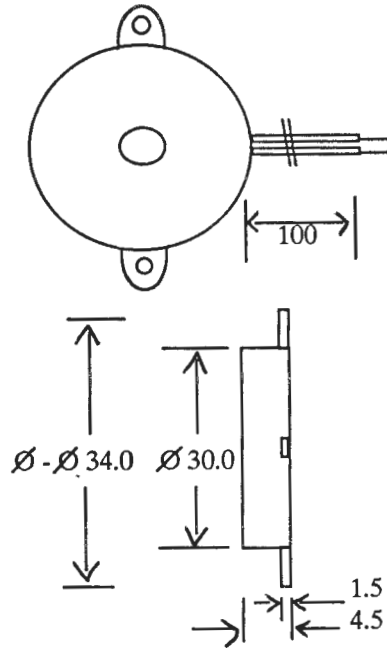


PIEZO BUZZER

BRP3005L-30

SPECIFICATIONS

Dimensions in mm



Model No.	BRP3005L-30
Resonant Frequency (Hz)	4200 \pm 500
Resonant Resistance (ohm)	300
Electrostatic Capacitance (PF)	20000 \pm 30%
Max. Input Voltage (Vp-p)	30
Operating Temperature (C)	- 20 to + 60

<p>INTERVOX International ©</p> <p>INTERNATIONAL COMPONENTS CORPORATION 215 MCCORMICK DRIVE, BOHEMIA, NY 11716 FAX: 631-952-9595 FAX: 631-952-9597</p>		
<p>Title</p> <p>Piezo Buzzer</p>		
<p>Intervox Model #</p> <p>BRP3005L-30</p>		<p>Rev</p>
Scale	Date	Sheet of