

SPECIFICATIONS SHEET

PRODUCT TYPE : SELF DRIVE PIEZO TRANSDUCER

PRODUCT SERIES : BRP3010F-25

DESCRIPTION : PZ TRANSDUCER 12VDC PIN PBT 2700 Hz RoHS

COLOR : BLACK

ELECTRICAL SPECIFICATIONS

<u>MODEL NO.</u>	<u>BRP3010F-25</u>	
<u>OPERATING VOLTAGE RANGE</u> (VDC)	1.5 ~ 24.0	
<u>RATED VOLTAGE</u> (VDC)	12.0	
* <u>MAX. RATED CURRENT</u> (mA)	15.0	
* <u>MIN. SOUND OUTPUT</u> (dBA/ 1.0 m)	75.0	
* <u>FREQUENCY</u> (Hz)	2700 ± 500	
<u>OPERATING TEMPERATURE</u> (°C)	- 20.0 ~ + 105.0	
<u>STORAGE TEMPERATURE</u> (°C)	- 30.0 ~ + 105.0	
<u>TERMINAL</u>	PIN	
<u>HOUSING MATERIAL</u>	PBT	
<u>WEIGHT</u> (g)	5.0	

* Value applying at rated voltage

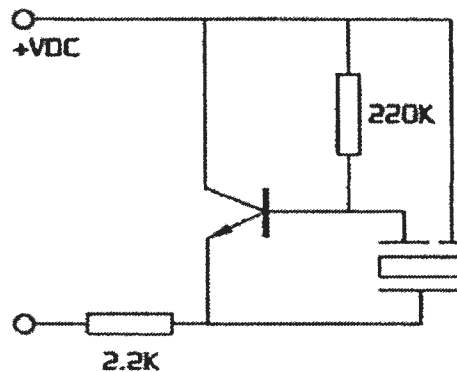
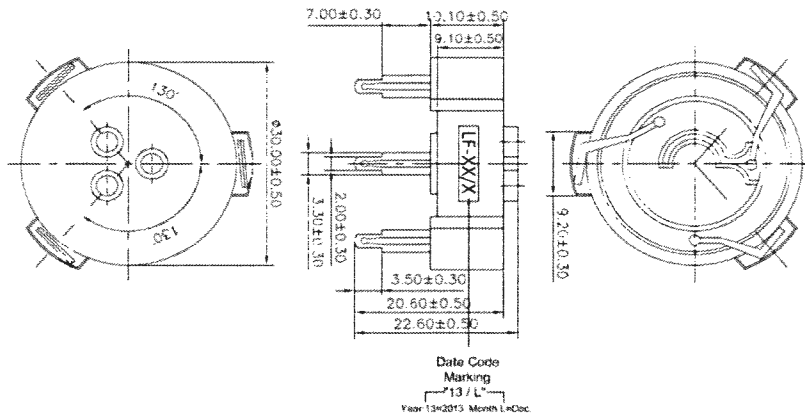
DIMENSIONS

UNIT : mm Tolerance : ± 0.5 mm

TOP VIEW

SIDE VIEW

BOTTOM VIEW



Reference Circuit

Modify :	Date :	By :
		Ref. : 3-001

Approved By : ST
Date : 20-Jan.-2014

Prepared By : ll
Date : 20-Jan.-2014