

SPECIFICATIONS SHEET

PRODUCT TYPE : SELF DRIVE PIEZO TRANSDUCER
PRODUCT SERIES : BRP3016L-30-WCA
DESCRIPTION : PZ TRANSDUCER 12VDC PC RoHS SP
1) 30 mmLL 2) ADD MOLEX CONNECTOR P/N : 5013300300
3) BOTTOM ADD 3M VHB TAPE 4) PIEZO ELEMENT BLACK COATING
COLOR : BLACK

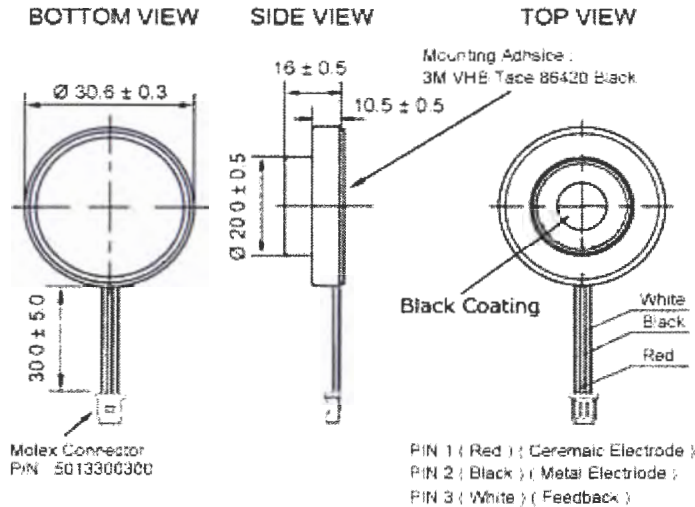
ELECTRICAL SPECIFICATIONS

MODEL NO.	BRP3016L-30-WCA	
OPERATING VOLTAGE RANGE	(VDC)	6.0 ~ 16.0
RATED VOLTAGE	(VDC)	12.0
+ MAX. RATED CURRENT	(mA)	40.0
+ MIN. SOUND OUTPUT	(dBA/ 25.0 cm)	105.0
+ FREQUENCY	(Hz)	3250 ± 250
TONE NATURE		SINGLE
OPERATING TEMPERATURE	(°C)	- 25.0 ~ + 85.0
STORAGE TEMPERATURE	(°C)	- 25.0 ~ + 85.0
TERMINAL		LEADWIRE (UL1061 , AWG#28)
HOUSING MATERIAL		PC (241R)
WEIGHT	(g)	5.6

+ Value applying at rated voltage

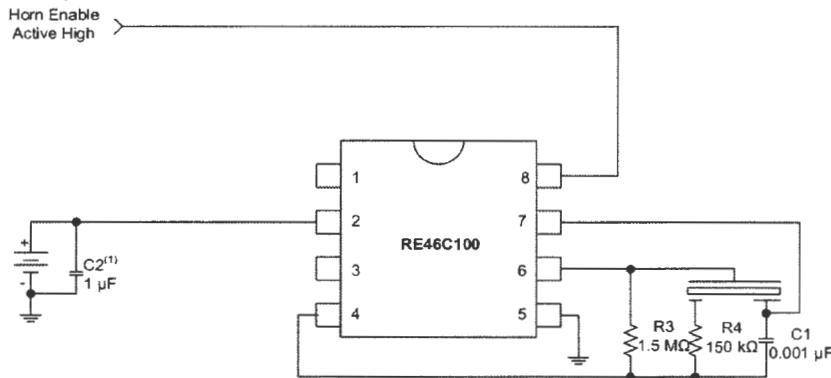
DIMENSIONS

UNIT : mm Tolerance : ± 0.5 mm



PIN 1 (Red) (Ceramic Electrode)
 PIN 2 (Black) (Metal Electrode)
 PIN 3 (White) (Feedback)

Testing Circuit



Modify :	Date :	By :

Approved By : ST
 Date : 24-Jul-2015

Prepared By : VC
 Date : 24-Jul-2015