

SPECIFICATIONS SHEET

PRODUCT TYPE : PIEZO BUZZER

PRODUCT SERIES : BRP3020P-03-C

DESCRIPTION : PZ BUZZER SINGLE 3VDC PIN PBT RoHS

COLOR : BLACK

ELECTRICAL SPECIFICATIONS

MODEL NO.	BRP3020P-03-C	
OPERATING VOLTAGE RANGE (VDC)		2.0 ~ 5.0
RATED VOLTAGE (VDC)		3.0
* MAX. RATED CURRENT (mA)		9.0
* MIN. SOUND OUTPUT (dBA/ 30 cm)		90.0
* FREQUENCY (Hz)		3500 ± 500
TONE NATURE		SINGLE
OPERATING TEMPERATURE (°C)		-20 ~ +60
TERMINAL		PIN
HOUSING MATERIAL		PBT
WEIGHT (g)		10.0

* Value applying at rated voltage

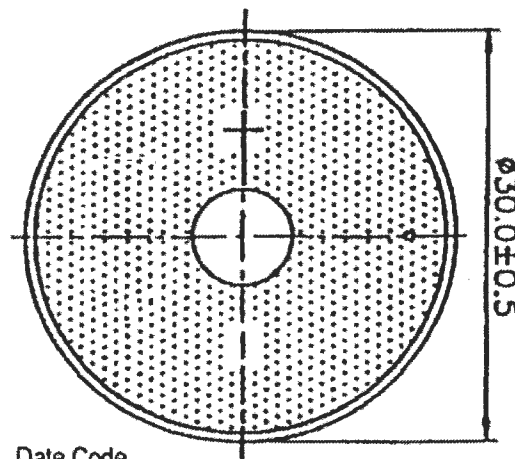
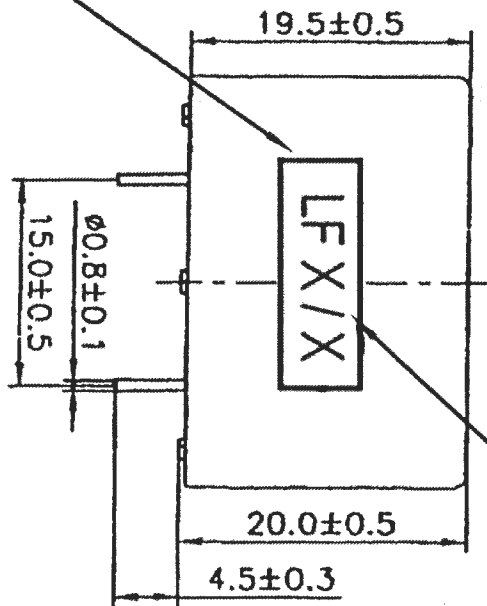
DIMENSIONS

UNIT : mm

SIDE VIEW

TOP VIEW

Label Marking



Date Code Marking
" 11 / C "

Year | Month
11 = 2011 | C = Mar.

Modify :	Date :	By :
	24-Mar-11	Joey

Approved By : ST
Date : 24-Mar.-2011

Prepared By : LL
Date : 24-Mar.-2011