

SPECIFICATIONS SHEET

PRODUCT TYPE : PIEZO BUZZER

PRODUCT SERIES : BRP4326T-12-CP

DESCRIPTION : PZ BUZZER FAST PULSE 12VDC PLUS ABS RoHS

COLOR : BLACK

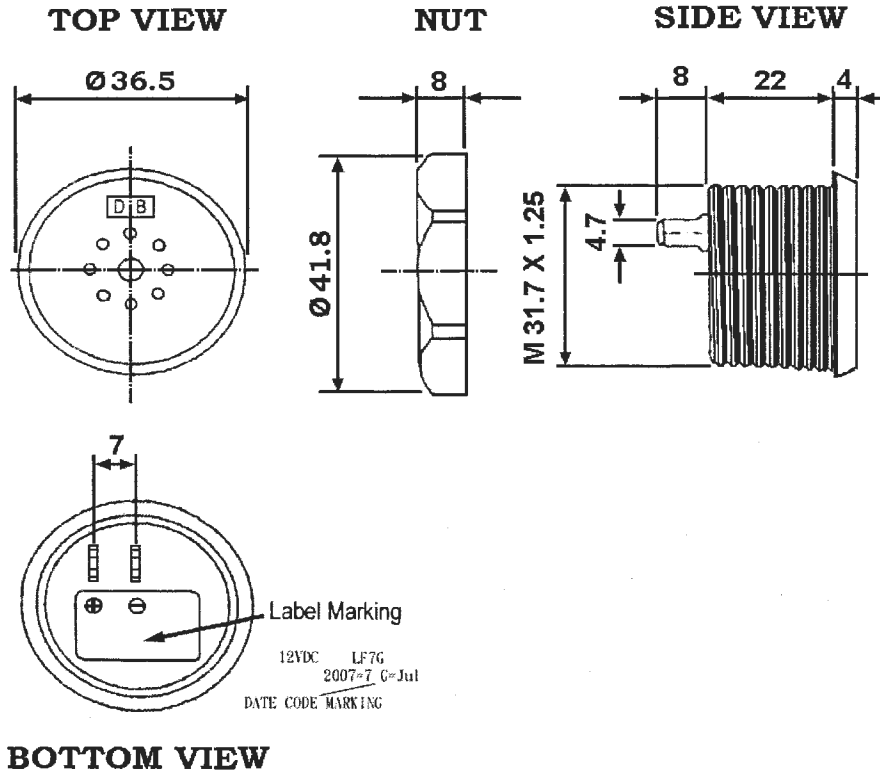
ELECTRICAL SPECIFICATIONS

MODEL NO.	BRP4326T-12-CP
OPERATING VOLTAGE RANGE (VDC)	5.0 ~ 28.0
RATED VOLTAGE (VDC)	12.0
* MAX. RATED CURRENT (mA)	18.0
* MIN. SOUND OUTPUT (dBA/ 1 m)	85.0
* FREQUENCY (Hz)	3000 ± 500
TONE NATURE	FAST PULSE
OPERATING TEMPERATURE (°C)	- 30 ~ + 70
STORAGE TEMPERATURE (°C)	- 30 ~ + 70
TERMINAL	PLUG
HOUSING MATERIAL	ABS
WEIGHT (g)	35.0

* Value applying at rated voltage

DIMENSIONS

UNIT : mm



Approved By : ST
Date : 30-Jun.-2009

Prepared By : LL
Date : 30-Jun.-2009

Modify :	Date :	By :
Operating Temp. Change to - 30 ~ + 70 °C	30-Jun-09	Joey
		Ref. : 2-002