

SPECIFICATIONS SHEET

PRODUCT TYPE : EXTERNAL DRIVE PIEZO TRANSDUCER

PRODUCT SERIES : BRP4333T-30

DESCRIPTION : PZ TRANSDUCER 20V PLG ABS RoHS

COLOR : BLACK

ELECTRICAL SPECIFICATIONS

MODEL NO.	<i>BRP4333T-30</i>
SOUND PRESSURE LEVEL	93.0 dBA Min. (20.0 V p-p Square Wave , 30.0 cm , 2800.0 Hz)
CAPACITANCE	40000.0 pF ± 30.0 % at 100.0 Hz
* MAX. INPUT VOLTAGE	30.0 V p-p
OPERATING TEMPERATURE	- 20.0 ~ + 60.0 ° C
STORAGE TEMPERATURE	- 30.0 ~ + 70.0 ° C
TERMINAL	PLUG
HOUSING MATERIAL	ABS
* WEIGHT	35.0

DIMENSIONS

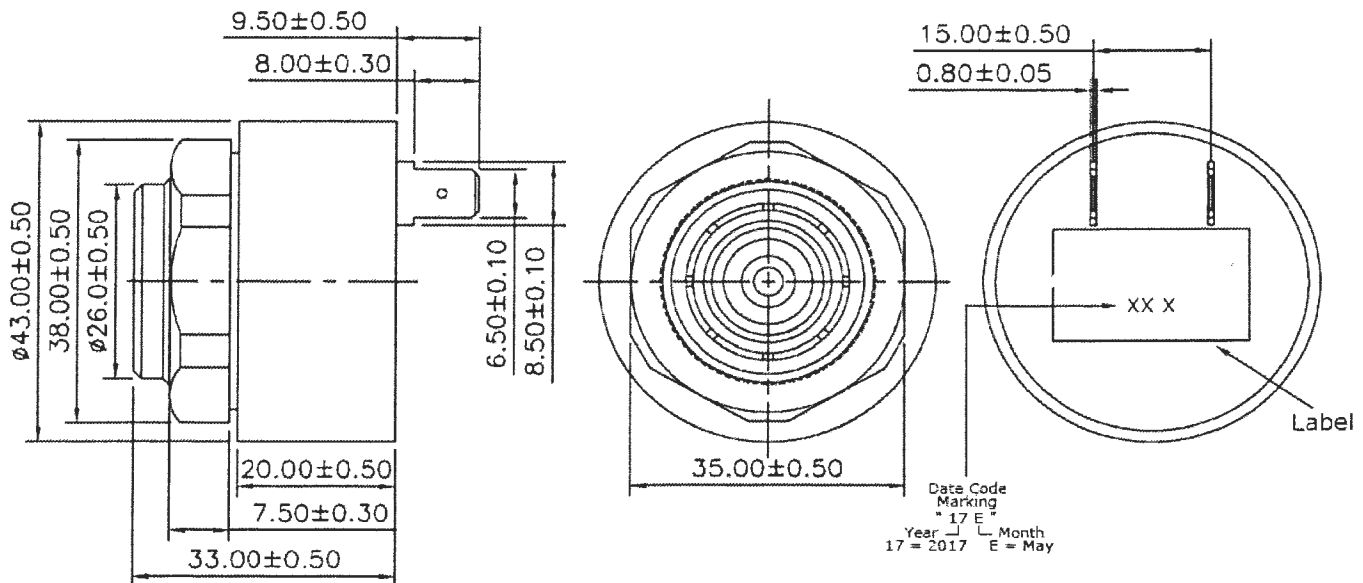
UNIT : mm

Tolerance : ± 0.5 mm

SIDE VIEW

TOP VIEW

BOTTOM VIEW



Approved By : LL
Date : 04 May 2017

Prepared By : VC
Date : 04 May 2017

Modify :	Date :	By :