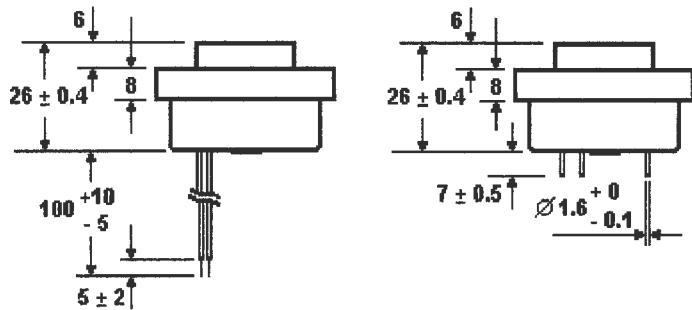
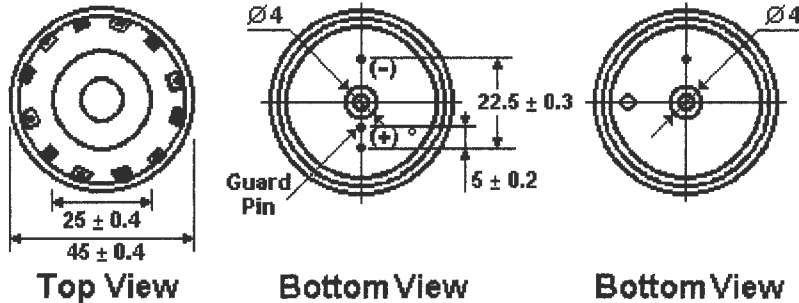


PIEZO ELECTRIC ALARM

with internal circuitry

BRP4526-C Series

All Dimensions are in Millimeters



Side View

Side View

12 V unit

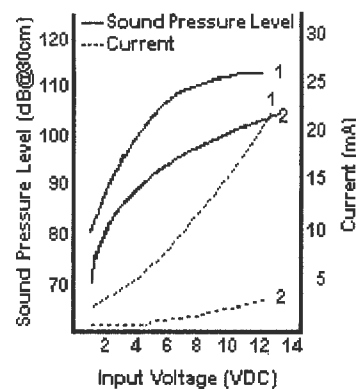
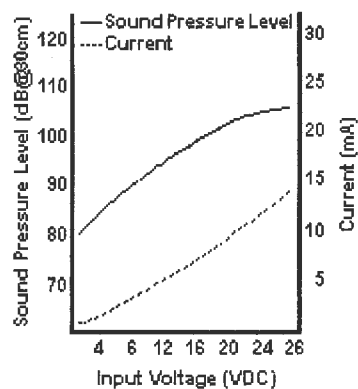
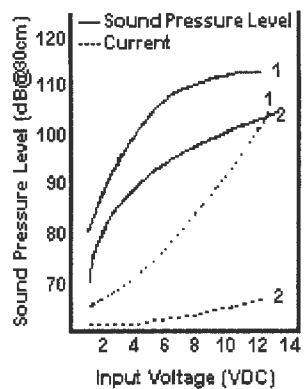
- 1: Single Tone
- 2: Pulse Tone

24 V unit

- Single Tone

12 V Dual Tone

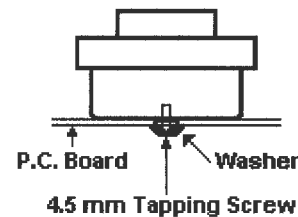
- 1: Single Tone
- 2: Pulse Tone



SPECIFICATIONS

Part Number	Rated Voltage (VDC)	Operating Voltage (VDC)	Max. Current (mA)	Freq. (KHz)	Min. (dB) SPL at 30 cm	Pulse Rate (pulse/sec)	Tone	Terminal
BRP4526L-12-C BRP4526P-12-C	12	1 - 13	35	2.9 ± 0.5	105	Nil	Single	Leads/ Pins
BRP4526L-24-C BRP4526P-24-C	24	1 - 28	20	2.9 ± 0.5	100	Nil	Single	Leads/ Pins
BRP4526L-12-CP BRP4526P-12-CP	12	1 - 13	20	2.9 ± 0.5	100	2-7	Pulse	Leads/ Pins
BRP4526L-12-CD	12	1 - 13	35/20	2.9 ± 0.5	105/100	2-7	Single/ Pulse	3 leads

SUGGESTED METHOD OF MOUNTING



LEADWIRE CONNECTIONS:

Single Tone -	Red	(+)
	Black	(-)
Pulse Tone -	Yellow	(+)
	Black	(-)
Dual Tone -	Red/Yellow	(+)
	Black	(-)

INTERVOX
International ©

International Components Corporation

175 Marcus Blvd., Hauppauge, NY 11788 • 631-952-9595 • FAX 631-952-9597 • www.icc107.com

Title:

Piezo Electric Alarm with Internal Circuitry

Intervox Model #

BRP4526-C Series

Rev
A

Scale: mm

Date:

Sheet 1 of 1