

SPECIFICATIONS SHEET

PRODUCT TYPE : PIEZO BUZZER

PRODUCT SERIES : BRP4535S SERIES

DESCRIPTION : PZ BUZZER F. PULSE 12VDC PLT ABS RoHS SP

1) 11mm PL 2) 4 ~ 6 PULSE / SECOND

3) NEGATIVE ADD DIODE 4) NUT FULL THREAD

5) SCREWS M3.4 6) LABEL MARKING " INTERVOX BRP4535S-12-CP1 &

DATE CODE " 7) ADD LABEL ON SIDE

LABEL MARKING " INTERVOX BRP4535S-12-CP1 "

8) ADD " + " SILVER LABEL ON TOP

9) ADD " RoHS conform " LABEL

COLOR : BLACK

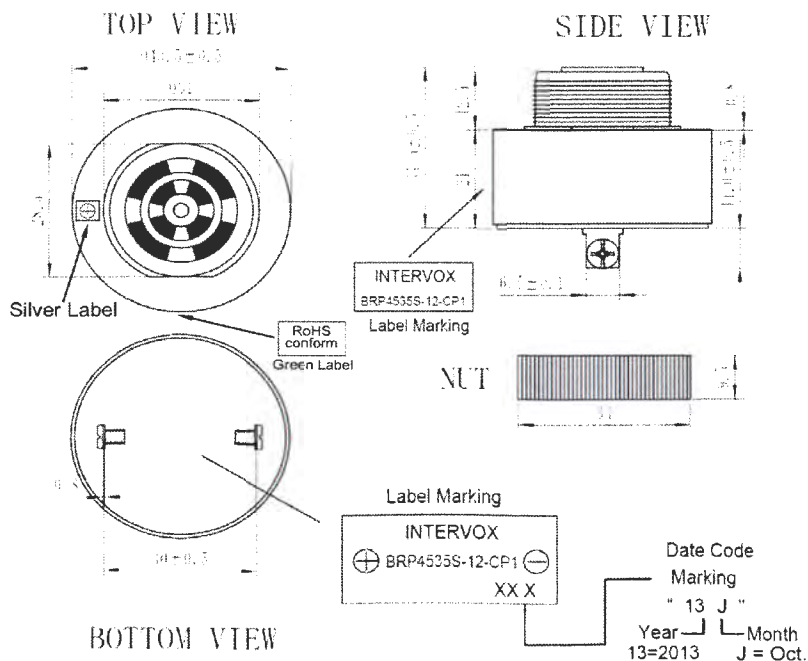
ELECTRICAL SPECIFICATIONS

MODEL NO.	BRP4535S-12-CP1	
OPERATING VOLTAGE RANGE (VDC)	4.0 ~ 16.0	
RATED VOLTAGE (VDC)	12.0	
* MAX. RATED CURRENT (mA)	20.0	
* MIN. SOUND OUTPUT (dBA/ 30.0 cm)	90.0	
* FREQUENCY (Hz)	2900 ± 500	
TONE NATURE	FAST PULSE (4.0 ~ 6.0 PULSE / SECOND)	
OPERATING TEMPERATURE (°C)	-20.0 ~ +60.0	
STORAGE TEMPERATURE (°C)	-30.0 ~ +70.0	
TERMINAL	PLATE	
HOUSING MATERIAL	ABS	
WEIGHT (g)	35.0	

* Value applying at rated voltage

DIMENSIONS

UNIT : mm Tolerance : ± 0.5 mm



Modify :	Date :	By :
Modify Draw and Description	02-Oct-13	Joey
Add " RoHS conform " Label	04-Oct-13	Joey

Approved By : ST
 Date : 4-Oct.-2013

Prepared By : JL
 Date : 4-Oct.-2013