

SPECIFICATIONS SHEET

PRODUCT TYPE : PIEZO BUZZER

PRODUCT SERIES : BRP4549T-240-C

DESCRIPTION : PZ BUZZER SINGLE 240VAC PLG ABS RoHS SP

1) 15mm PL 2) NUT FULL THREAD

3) LABEL MARKING " INTERVOX BRP4549T-240-C & Data Code "

4) ADD " RoHS conform " LABEL 5) ADD " + " SILVER LABEL ON TOP

COLOR : BLACK

ELECTRICAL SPECIFICATIONS

MODEL NO.	BRP4549T-240-C	
OPERATING VOLTAGE RANGE (VAC)		60.0 ~ 250.0
RATED VOLTAGE (VAC)		240.0
* MAX. RATED CURRENT (mA)		30.0
* MIN. SOUND OUTPUT (dBA/ 30 cm)		90.0
* FREQUENCY (Hz)		2900 ± 500
TONE NATURE		SINGLE
OPERATING TEMPERATURE (°C)		- 20.0 ~ + 60.0
STORAGE TEMPERATURE (°C)		- 30.0 ~ + 70.0
TERMINAL		PLUG
HOUSING MATERIAL		ABS
WEIGHT (g)		35.0

* Value applying at rated voltage

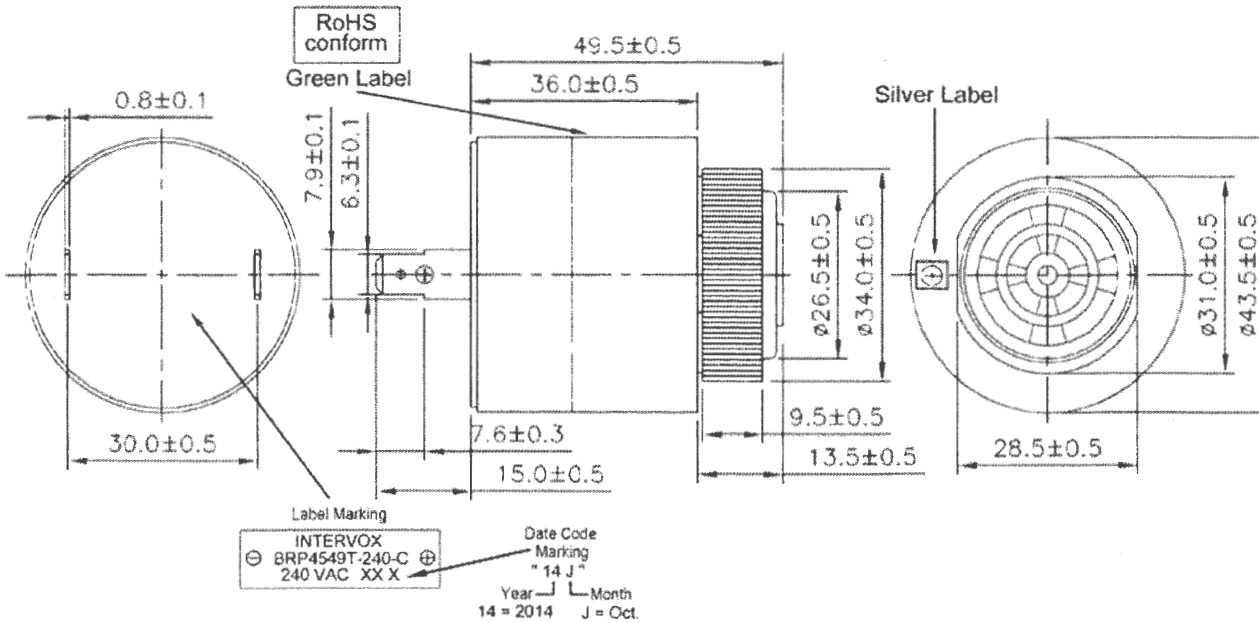
DIMENSIONS

UNIT : mm Tolerance : ± 0.5 mm

BOTTOM VIEW

SIDE VIEW

TOP VIEW



Modify :	Date :	By :
NEW G16	06-Oct-14	

Approved By : FG
Date : 3-Oct.-2014

Prepared By : LL
Date : 3-Oct.-2014