

# INTERVOX

Electro Acoustic Transducer

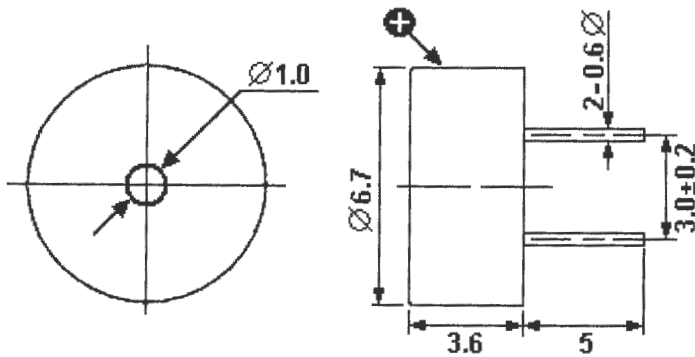
**BRT0704P-01**

RoHS Compliant

**Features:**

- Small and slim size magnetic buzzer.
- Low profile design

**■ DIMENSIONS**



All dimensions in mm.  
Tolerance:  $\pm 0.3$   
Housing Material: Noryl

**SPECIFICATIONS:**

TYPE	BRT0704P-01
Rated Voltage (Vp-p)	1.5
Operating Voltage (Vp-p)	1.0 ~ 3.0
● Max. Rated Current (mA)	Max 80
■ Coil Resistance ( $\Omega$ )	$8 \pm 1$
Resonant Frequency (Hz)	2730
● Sound Output @ 10cm (dBA)	Min. 70
Operating Temperature $^{\circ}\text{C}$	-20 ~ +80
Weight (g)	1.0

- Value applying rated voltage, resonant frequency, 1/2 duty, square wave
- Value applying resonant frequency, 1/2 duty, square wave, measuring current 60mA

INTERVOX  
**International** ©

INTERNATIONAL COMPONENTS CORPORATION  
215 MCCORMICK DRIVE, BOHEMIA, NY 11716  
FAX: 631-952-9595 FAX: 631-952-9597

Title:

**Electro Acoustic Transducer**

Tolerance:	Intervox Model # <b>BRT0704P-01</b>	Rev.
Unit: mm	Date: 6/10/2007	Sheet 1 of 1