

Surface Mount Electro Acoustic Transducer BRT0903SM-GW Series

Features:

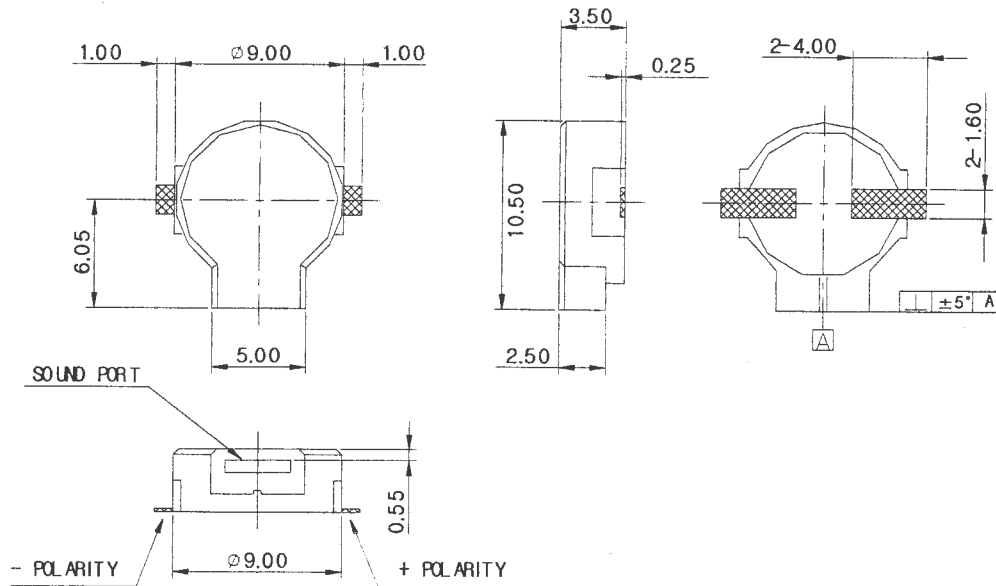
- SMD Type, small and slim size 9*3.5mm (H).
- No magnetic force decrease (less than 1%) at high SMT temperature. (at 245°C by 3 Min)
- Reflow process available.
- Achieve a sound pressure level equivalent to the conventional unit in spite of the size.
- No coating on magnet surface but no oxidation.
- Side sound port.

SPECIFICATIONS:

| TYPE | BRT0903SM-01-GW | BRT0903SM-03-GW | BRT0903SM-05-GW |
|----------------------------|-----------------|-----------------|-----------------|
| RATED VOLTAGE (Vdc) | 1.5 | 3.6 | 5 |
| OPERATING VOLTAGE (Vdc) | 1.2 ~ 1.7 | 2.5 ~ 4.5 | 4 ~ 6 |
| *MAX. RATED CURRENT (mA) | 90 | 90 | 70 |
| COIL RESISTANCE (ohm) | 6 ± 1 | 16 ± 3 | 32 ± 5 |
| *SOUND OUTPUT AT 10cm (dB) | MIN. 85 | MIN. 87 | MIN. 87 |
| RESONANT FREQUENCY (Hz) | 2731 | | |
| OPERATING TEMPERATURE (C) | - 20 ~ + 60 | | |
| STORAGE TEMPERATURE (C) | - 40 ~ + 85 | | |
| WEIGHT(g) | 1 | | |

*Value applying resonant frequency (2731Hz, 1/2 duty, square wave)

Dimensions



unit : mm

INTERVOX
International ©

INTERNATIONAL COMPONENTS CORPORATION
215 MCCORMICK DRIVE, BOHEMIA, NY 11716
FAX: 631-952-9595 FAX: 631-952-9597

Title: **Surface Mount
Electro Acoustic Transducer**

| | | |
|------------|--|------------------|
| Tolerance: | Intervox Model # BRT0903SM-GW SERIES | Rev. A |
| Unit: mm | Date: 8/28/02 | Sheet 1 of 1 |