

Surface Mount Electro Acoustic Transducer BRT0904SM-GW Series

Features:

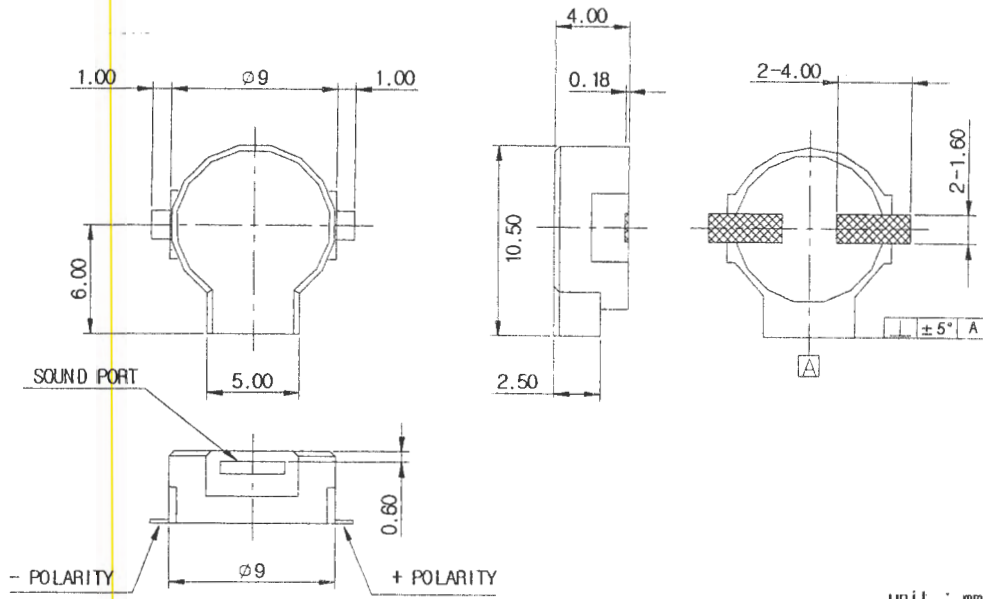
- SMD Type, small and slim size 9*4mm (H).
- No magnetic force decrease (less than 1%) at high SMT temperature. (at 245°C by 3 Min)
- Reflow process available.
- Achieve a sound pressure level equivalent to the conventional unit in spite of the size.
- No coating on magnet surface but no oxidation.
- Side sound port.

SPECIFICATIONS:

TYPE	BRT0904SM-01-GW	BRT0904SM-03-GW	BRT0904SM-05-GW
RATED VOLTAGE (Vdc)	1.5	3.6	5
OPERATING VOLTAGE (Vdc)	1.2 ~ 1.7	2.5 ~ 4.5	4 ~ 6
*MAX. RATED CURRENT (mA)	90	100	70
COIL RESISTANCE (ohm)	6 ± 1	16 ± 3	32 ± 5
*SOUND OUTPUT AT 10cm (dB)	MIN. 85	MIN. 87	MIN. 87
RESONANT FREQUENCY (Hz)	2731		
OPERATING TEMPERATURE (C)	- 20 ~ + 60		
STORAGE TEMPERATURE (C)	- 40 ~ + 85		
WEIGHT(g)	1		

*Value applying resonant frequency (2731Hz, 1/2 duty, square wave)

Dimensions



unit : mm

INTERVOX
International ©

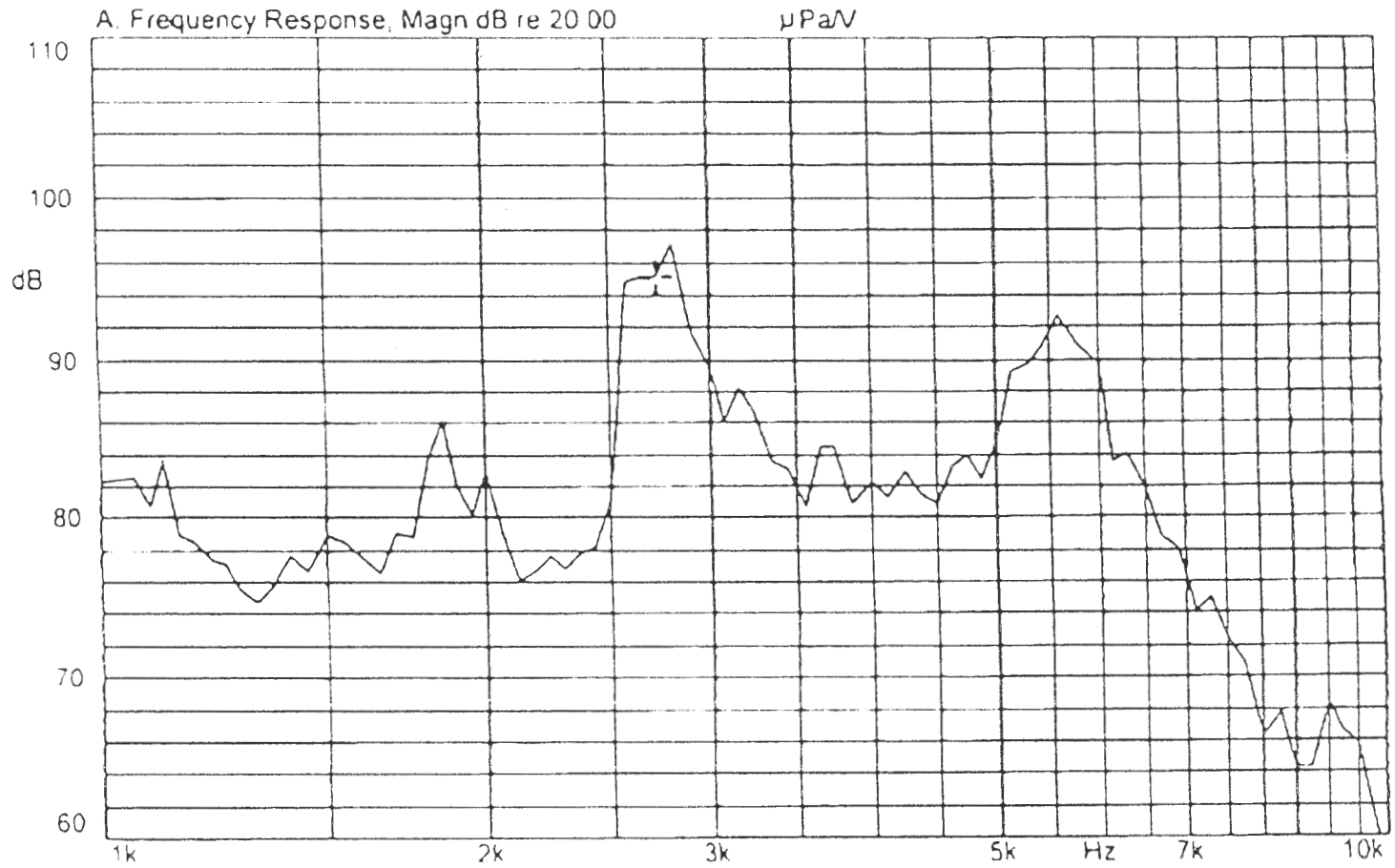
INTERNATIONAL COMPONENTS CORPORATION
215 MCCORMICK DRIVE, BOHEMIA, NY 11716
FAX: 631-952-9595 FAX: 631-952-9597

Title: **Surface Mount
Electro Acoustic Transducer**

Tolerance:	Intervox Model # BRT0904SM-GW SERIES	Rev. A
Unit: mm	Date: 8/28/02	Sheet 1 of 1

BRT0904SM-01-GW

X 2 7200kHz *Y 95 06dB ZA Live Curve SSR T RMS



22-DEC-2001 09 19 59

Mode SSR

