

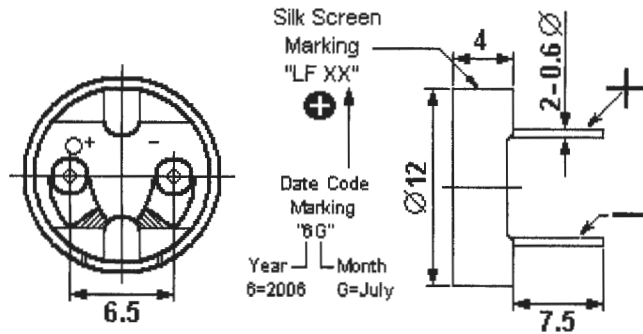
# INTERVOX

## Electro Acoustic Transducer BRT1204P-01 RoHS Compliant

### Features:

- Small and slim size magnetic buzzer.
- Low profile design

### ■ DIMENSIONS



All dimensions in mm.  
Housing Material: Noryl

### SPECIFICATIONS:

TYPE	BRT1204P-01
Rated Voltage (Vp-p)	1.5
Operating Voltage (Vp-p)	1.0 ~ 2.0
● Max. Rated Current (mA)	Max 10
■ Coil Resistance ( $\Omega$ )	16.0 $\pm$ 4.0
■ Coil Impedance ( $\Omega$ )	40
Resonant Frequency (Hz)	2048
● Sound Output @ 10cm (dBA)	Min. 75
Operating Temperature $^{\circ}\text{C}$	-20 ~ +60
Weight (g)	2.0

- Value applying rated voltage, resonant frequency, 1/2 duty, square wave
- Value applying resonant frequency, 1/2 duty, square wave, measuring current 60mA)

INTERVOX  
**International** ©

INTERNATIONAL COMPONENTS CORPORATION  
215 MCCORMICK DRIVE, BOHEMIA, NY 11716  
FAX: 631-952-9595 FAX: 631-952-9597

Title:

**Electro Acoustic Transducer**

Tolerance:

Intervox Model #

Rev.

**BRT1204P-01**

Unit: mm

Date: 6/10/2007

Sheet 1 of 1