

SPECIFICATIONS SHEET

PRODUCT TYPE : MECHANICAL BUZZER
PRODUCT SERIES : BS2316L-B
DESCRIPTION : MC BUZZER SINGLE 12VDC L/W ABS SP RoHS
COLOR : BLACK

ELECTRICAL SPECIFICATIONS

MODEL NO.	BS2316L-12-B
OPERATING VOLTAGE RANGE (VDC)	9.0 ~ 15.0
RATED VOLTAGE (VDC)	12.0
* MAX. RATED CURRENT (mA)	25.0
* MIN. SOUND OUTPUT (dBA/ 20 cm)	75.0
* FREQUENCY (Hz)	400 ± 100
TONE NATURE	SINGLE
OPERATING TEMPERATURE (°C)	-10 ~ +60
TERMINAL	LEADWIRE (UL1095 , AWG#26)
HOUSING MATERIAL	ABS
WEIGHT (g)	10.0

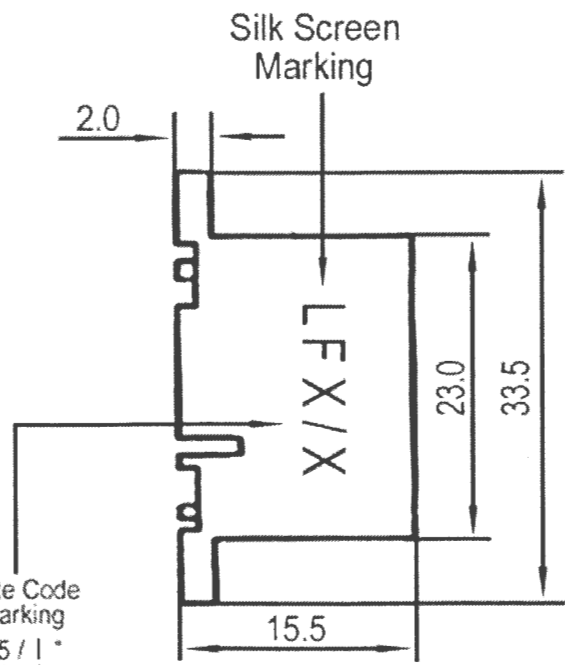
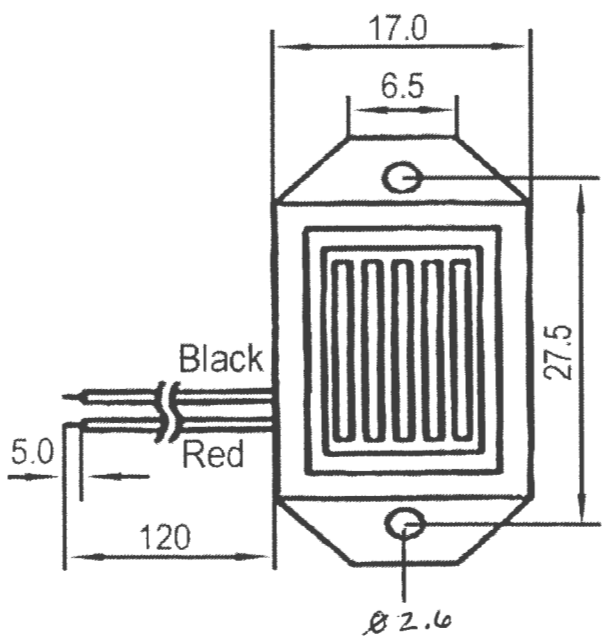
* Value applying at rated voltage

DIMENSIONS

UNIT : mm

TOP VIEW

SIDE VIEW



Date Code Marking
 5 / 1
 Year | Month
 5 = 2005 | 1 = Sep.

Approved By : FG
 Date : 27-Sep.-2005

Prepared By : G16
 Date : 27-Sep.-2005

Modify :	Date :	By :
		Ref. : 2-001