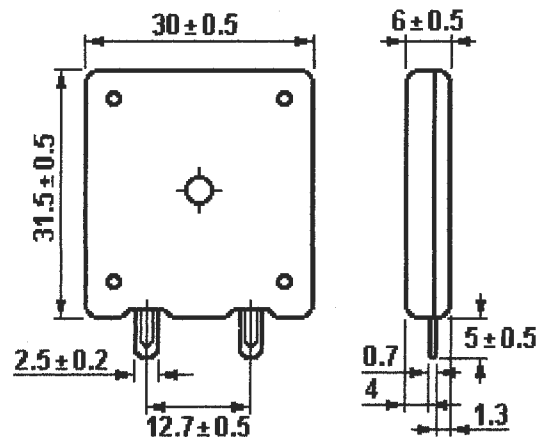


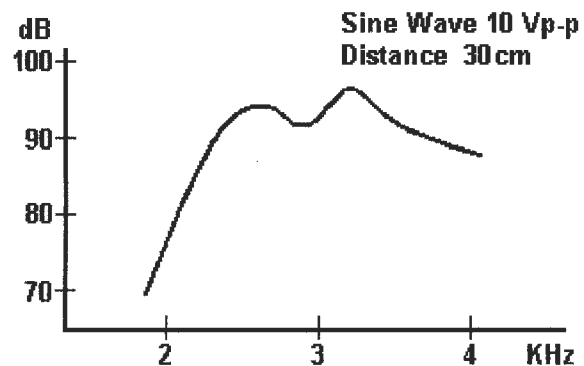
# INTERVOX PIEZO BUZZER

## External Drive BSP3206FV-30



(Dimensions in mm)

Sound Pressure vs Frequency



### SPECIFICATIONS:

TYPE	BSP3206FV-30
MAX. INPUT VOLTAGE (VDC)	30
RESONANT RESISTANCE	400
ELECTROSTATIC CAPACITANCE	$16000 \pm 30\%$
RESONANT FREQUENCY (Hz)	$3000 \pm 500$
OPERATING TEMPERATURE (C)	- 20 ~ + 60

INTERVOX  
**International** ©

INTERNATIONAL COMPONENTS CORPORATION  
215 MCCORMICK DRIVE, BOHEMIA, NY 11716

Title:

External Drive Piezo Buzzer

Intervox Model #

BSP3206FV-30

Rev

A

Scale: mm

Date: 12/ 7/92

Sheet 1 of 1