

**Intervox Surface Mount
Electro Acoustic Transducer
BST0803SM-03-4T
RoHS Compliant**

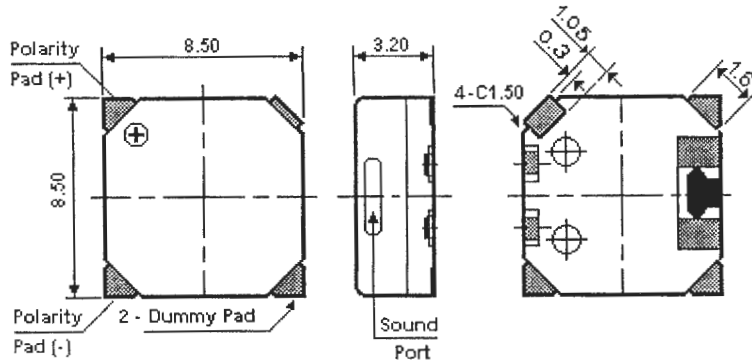
Features:

- SMD Type, small and slim size magnetic buzzer.
- Reflow process available.
- Tape & Reel packaging.
- Low profile design.
- Side sound port.

Applications:

- Cellular phones
- Pocket pagers
- Timers
- Alarm clocks

Dimensions



Tol.: ± 0.2mm

SPECIFICATIONS:

TYPE	BST0803SM-03-4T
RATED VOLTAGE (Vdc)	3.6
OPERATING VOLTAGE (Vdc)	2.5 ~ 4.5
*RATED CURRENT (mA)	Max 100
COIL RESISTANCE (ohm)	16 ± 3
*SOUND OUTPUT AT 10cm (dB)	MIN. 85 (Typical 91)
RESONANT FREQUENCY (Hz)	2730
OPERATING TEMPERATURE (C)	- 30 ~ + 70
STORAGE TEMPERATURE (C)	- 40 ~ + 85
WEIGHT (Kgs)	5

*Value applying rated voltage (2750Hz, 1/2 duty, square wave)

**INTERVOX
International** ©

International Components Corporation

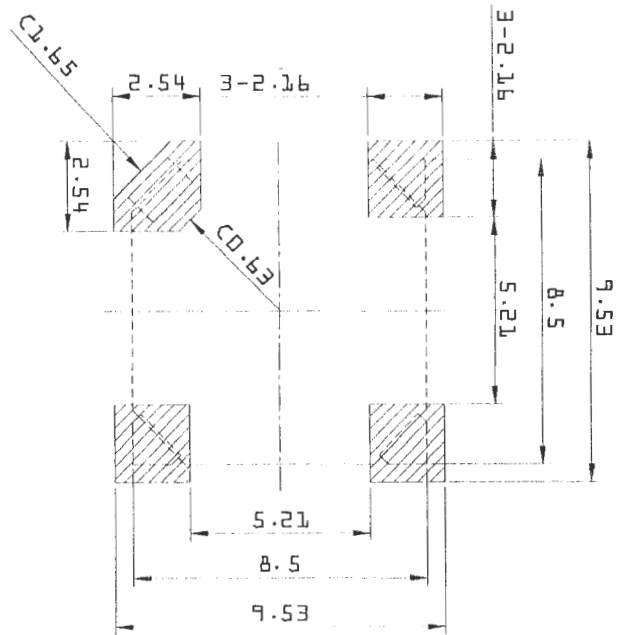
215 McCormick Drive, Bohemia, NY 11716 631-952-9595 FAX 631-952-9597 www.icc107.com

Title: **Surface Mount
Electro Acoustic Transducer**

Tolerance:	Intervox Model # BST0803SM-03-4T	Rev.
------------	--	------

Unit: mm	Date: 3/30/2006	Sheet 1 of 1
----------	-----------------	--------------

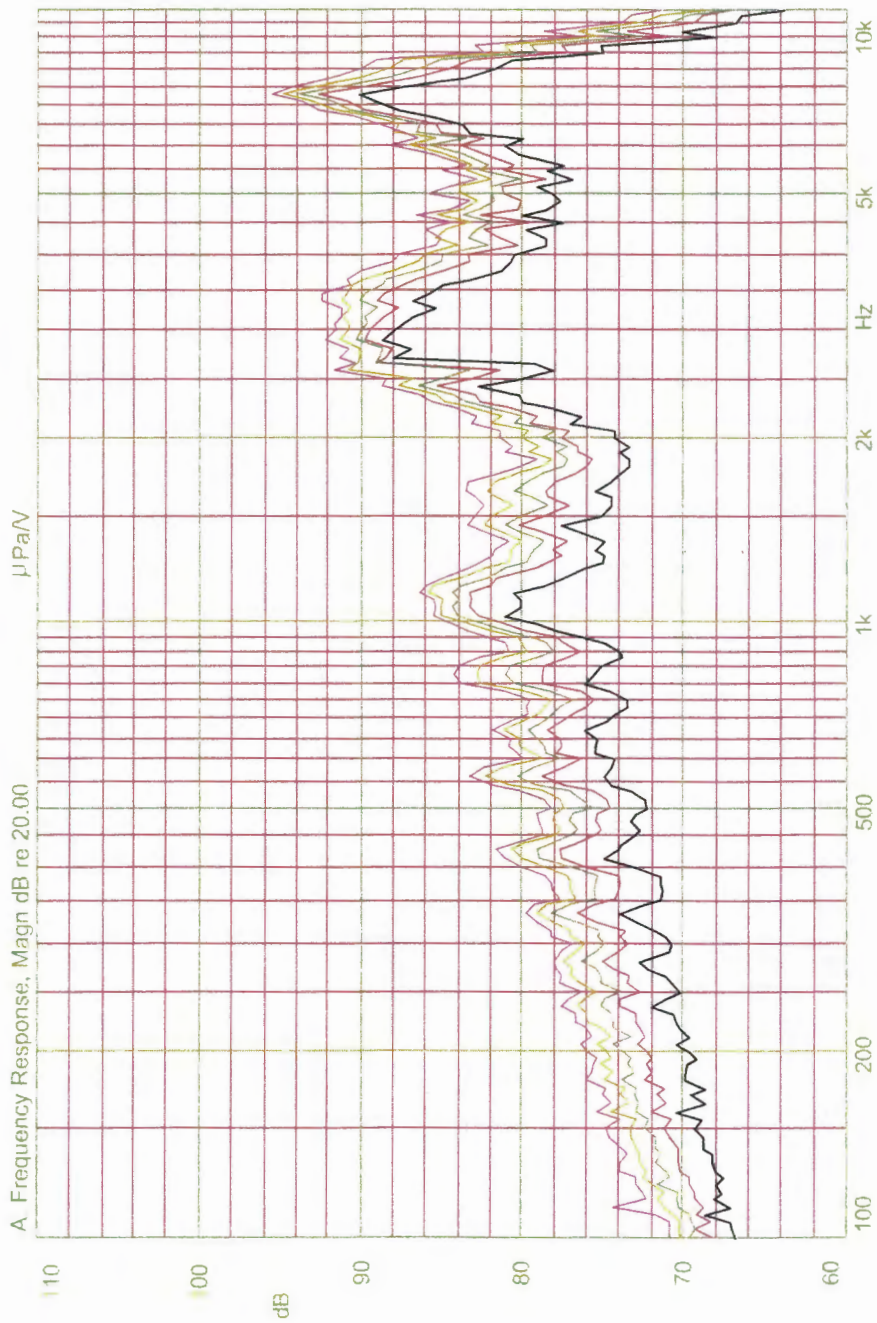
Unit [mm]



RECOMMENDED LAND PATTERN DIMENSIONS

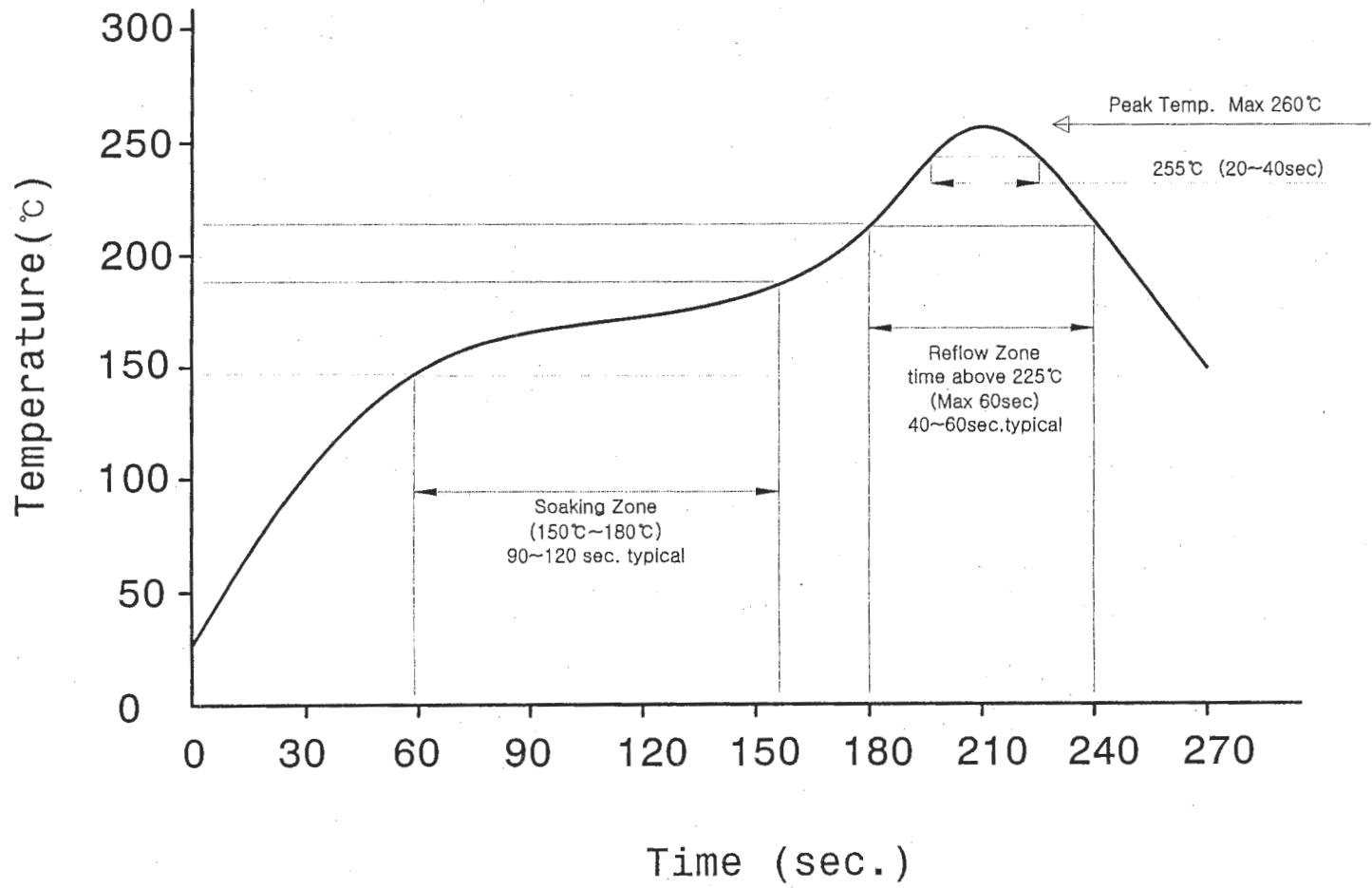
MODEL: BST0803SM-03-4T
BST0804SM-03-4T

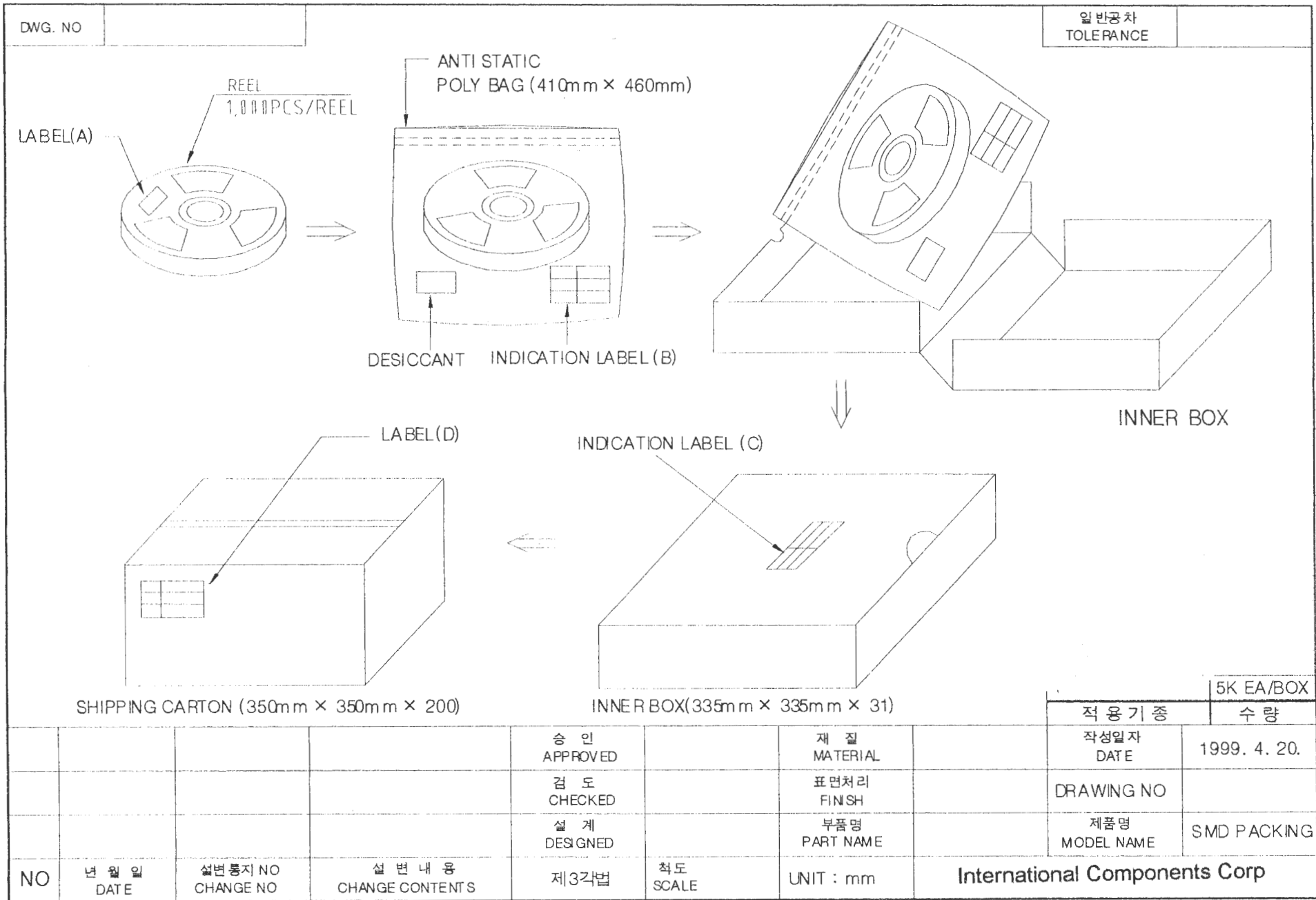
Black : 2.0V, Red : 2.6V, Green : 3.0V, Yellow : 3.6V, Violet : 4.0V



Mode: SSR

Lead Free Reflow profile

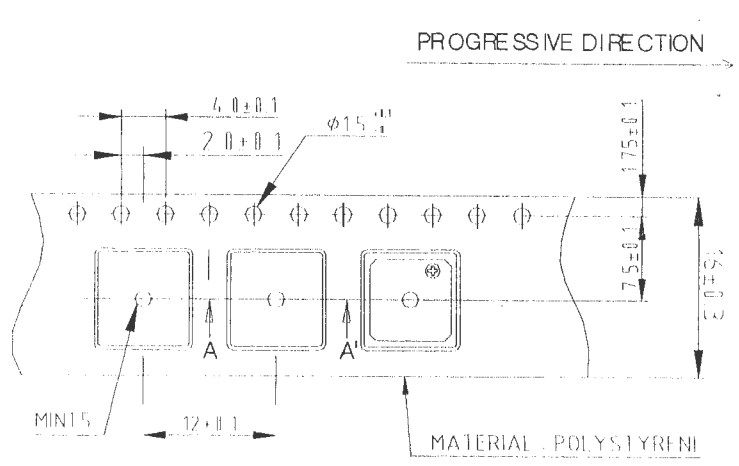




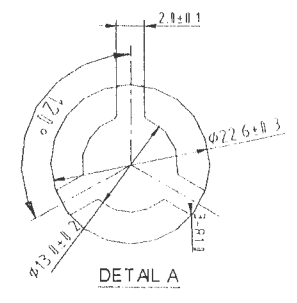
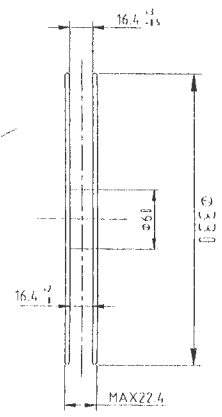
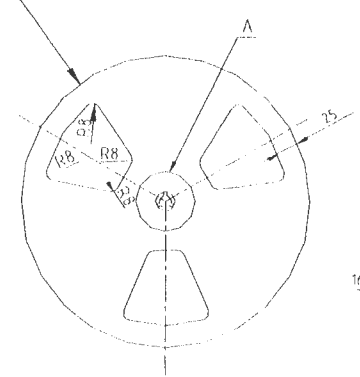
양식-0401-01

DWG. NO

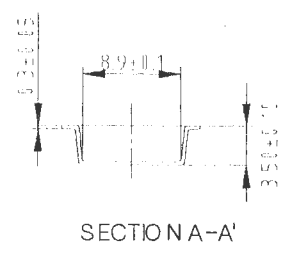
일반공차
TOLERANCE



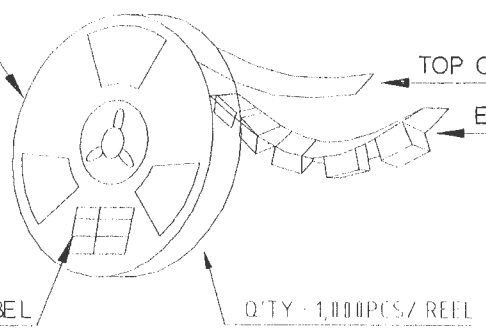
REEL (13" X 16m m, ULTRA.S)



DRAWING DIRECTION



φ33.0 REEL DIAMETER



적용 기준	수량

				승인 APPROVED		재질 MATERIAL	작성일자 DATE	1999. 3. 15.
				검도 CHECKED		표면처리 FINISH	DRAWING NO	
				설계 DESIGNED		제품명 MODEL NAME	BST0803SM-03-4T	
NO	년 월 일 DATE	설번통지 NO CHANGE NO	설번내용 CHANGE CONTENTS	제3 각법	척도 SCALE	UNIT : mm	International Components Corp	