

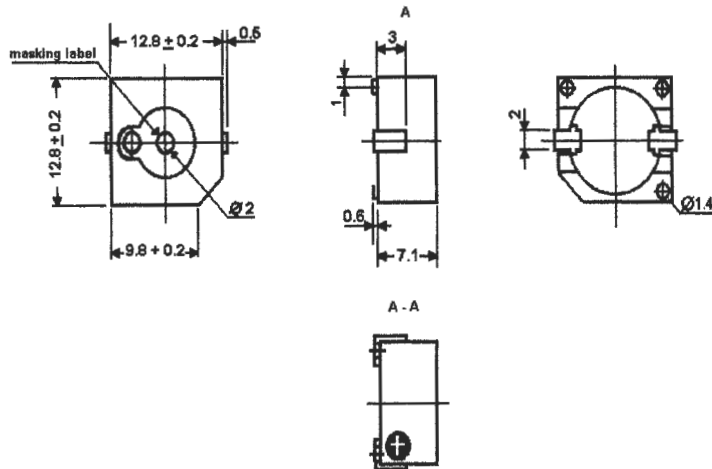
**Intervox Surface Mount
Electromagnetic Transducer
BST1307SM Series
RoHS Compliant**

Features:

- Low profile, lightweight
- No electronic noise due to mechanical contact

Applications:

- Computers, PC & Laptop
- Cellular phones
- Pocket pagers
- Scanners



SPECIFICATIONS:

TYPE	BST1307SM-01	BST1307SM-05	BST1307SM-12
RATED VOLTAGE (V)	1.5	5	12
OPERATING VOLTAGE (Vdc)	1 ~ 3	4 ~ 7	8 ~ 16
*MAX. RATED CURRENT (mA)	30	40	40
COIL RESISTANCE (ohm)	15 ± 3	45 ± 5	140 ± 15
*SOUND OUTPUT AT 10cm (dB)	MIN. 85	MIN. 87	MIN. 88
RESONANT FREQUENCY (Hz)	2400		
OPERATING TEMPERATURE (C)	- 40 ~ + 85		
STORAGE TEMPERATURE (C)	- 40 ~ + 85		

*Value applying rated voltage (2400Hz, 1/2 duty, square wave)

**INTERVOX
International** ©

INTERNATIONAL COMPONENTS CORPORATION
215 MCCORMICK DRIVE, BOHEMIA, NY 11716
FAX: 631-952-9595 FAX: 631-952-9597

Title: **Surface Mount
Electromagnetic Transducer**

Tolerance: ± 0.5mm	Intervox Model # BST1307SM SERIES	Rev.
Unit: mm	Date: 1/15/2006	Sheet 1 of 1