

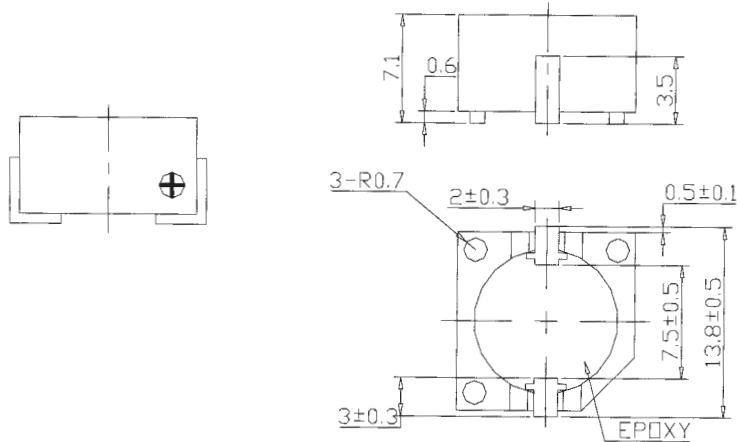
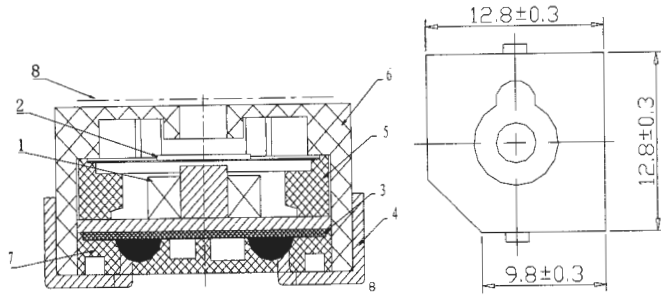
# ELECTRO ACOUSTIC TRANSDUCER

## BST1307SM-C Series

### FEATURES

- Surface Mount w/built in drive circuit
- ROHS & REACH Compliant
- High Reliability and long life
- No electrical noise

### DIMENSIONS (Unit mm tolerance 0.5mm)



### SPECIFICATIONS

Model No.	BST1307SM-03-C	BST1307SM-05-C	BST1307SM-12-C
Rated Voltage DC (VDC)	3	5	12
Operating Voltage (VDC)	2 ~ 5	4 ~ 7	8 ~ 15
■ Rated Current (mA)	< 30		
■ Sound Output Level at 10cm (dB)	MIN.80	MIN. 85	
■ Resonant Frequency (Hz)	2400 + 400		
Lead Pin Material	Brass		
Operating Temperature (°C)	-20 to +70		
Storage Temperature (°C)	-30 to +80		
Housing Material	PPS		
Weight (g)	2		

■ Value applying rated voltage (DC)

INTERVOX  
**International** ©

International Components Corporation

215 McCormick Drive, Bohemia, NY 11747 631-952-9595 Fax 631-952-9597 www.icc107.com

Title:

**Electro Acoustic Transducer**

Intervox Model #

**BST1307SM-C Series**

Rev

Scale mm

Date 1/2/12

Sheet 1 of 1