

Specifications Sheet

Product Type : **Analog MEMS Surface Mount Microphone**

Product Series : **MEOM2718**

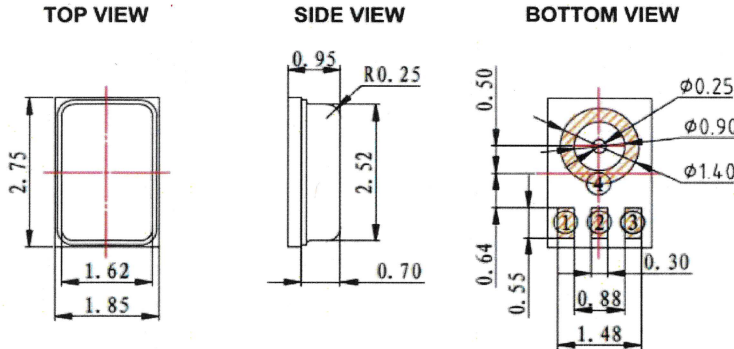
Description : **MEMS OMN ANALOG 2.75 X 1.85D 0.95H 2V < 300 Ohm 38/3 RoHS S/N 65 dB**

Electrical Specifications


Test Conditions : 23.0 ± 2.0 °C, 55.0 ± 20.0 % R.H.

Model No.		MEOM-2718BA-02-583-65				
Parameter	Symbol	Condition	Limits			Unit
			Min.	Typ	Max.	
Supply Voltage	V_{DD}		1.6	2.0	3.6	V
Supply Current	I_{DSS}	$V_{DD} = 2.0 V$	----	80.0	----	μA
Sensitivity	S	94.0 dB SPL @ 1KHz	- 41.0	- 38.0	- 35.0	dB
Directivity	$D(\theta)$		Omni - Directional			
Signal to Noise Ratio	S/N	94.0 dB SPL @ 1KHz, (A-weighted)	----	65.0	----	dB
Total Harmonic Distortion	THD	94.0 dB SPL @ 1.0 K Hz	----	0.2	----	%
Acoustic Overload Point	AOP	10.0 % THD @ 1.0 kHz	----	130.0	----	dB SPL
Output Impedance	Z_{out}	@ 1.0 K Hz	----	----	300.0	Ω
Terminal			SMD			
Operating Temperature			- 40.0 ~ + 105.0			°C
Storage Temperature			- 40.0 ~ + 85.0 (Microphone units with package)			°C
Weight			0.02 ± 10.0 %			g

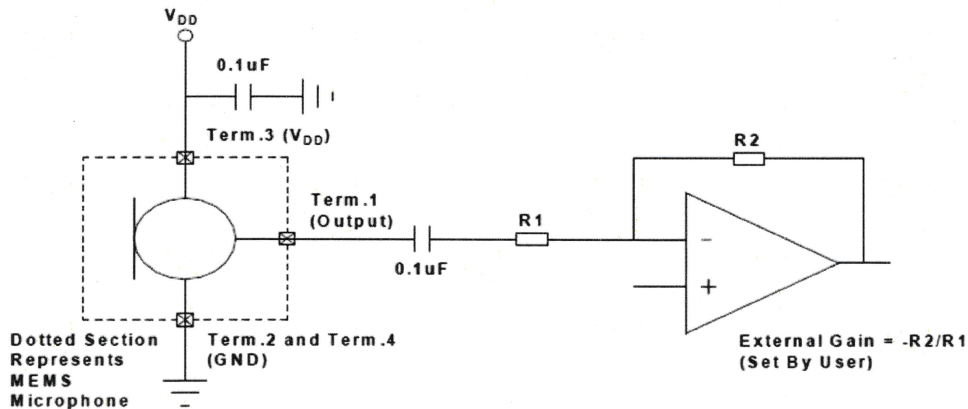
Dimensions Unit : mm



Pin Output	
Pin #	Function
1	Output
2	GND
3	VDD
4	GND

Note :  All dimensions are in millimeter (mm) otherwise specified.
 Tolerance : ± 0.1 mm unless otherwise specified.

Recommended Interface Circuit



Modify :	Date :	By :

Approved By : JY
 Date : 23 Apr 2019

Prepared By : LL
 Date : 23 Apr 2019