

## Specifications Sheet

**Product Type :** *Analog MEMS Surface Mount Microphone*

**Product Series :** *MEOM2718*

**Description :** *MEMS OMN ANALOG 2.75 X 1.85D 0.95H 2V < 300 Ohm 42/3 RoHS S/N 57 dB*

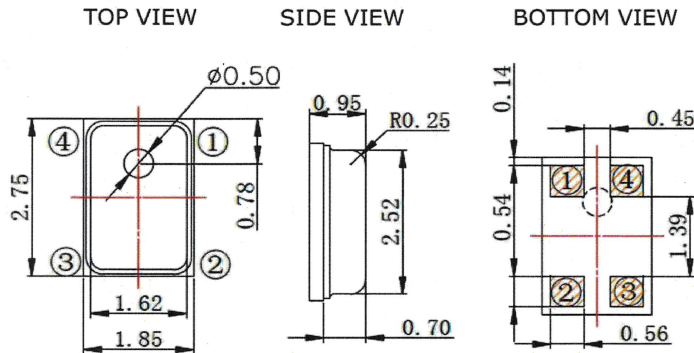
**Electrical Specifications**

Test Conditions: 23.0 ± 2.0 °C, 55.0 ± 20.0 % R.H.

Model No.		MEOM-2718TA-02-623-57				
Parameter	Symbol	Condition	Limits			Unit
			Min.	Typ	Max.	
Supply Voltage	V <sub>DD</sub>		1.6	2.0	3.6	V
Supply Current	I <sub>DSS</sub>	V <sub>DD</sub> = 2.0 V	----	160.0	----	uA
Sensitivity	S	94.0 dB SPL @ 1KHz	- 45.0	- 42.0	- 39.0	dB
Directivity	D(θ)		Omni - Directional			
Signal to Noise Ratio	S / N	94.0 dB SPL @ 1KHz, ( A - weighted )	----	57.0	----	dB
Total Harmonic Distortion	THD	100.0 dB SPL @ 1.0 K Hz	----	----	1.0	%
		125.0 dB SPL @ 1.0 K Hz	----	----	10.0	%
Output Impedance	Z <sub>OUT</sub>	@ 1.0 K Hz	----	----	300.0	Ω
Terminal			SMD			
Operating Temperature			- 40.0 ~ + 105.0			°C
Storage Temperature			- 40.0 ~ + 85.0 ( Microphone units with package )			°C
Weight			0.02 ± 10.0 %			g

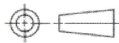
**Dimensions**

Unit : mm



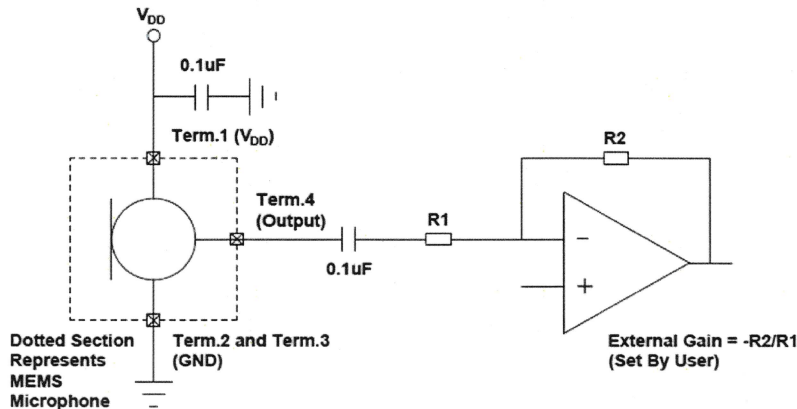
Pin Output	
Pin #	Function
1	VDD
2	GND
3	GND
4	Output

Note :



All dimensions are in millimeter ( mm ) otherwise specified.  
 Tolerance : ± 0.1 mm unless otherwise specified.

**Recommended Interface Circuit**



Modify :	Date :	By :