

Specifications Sheet

Product Type : *Analog MEMS Surface Mount Microphone*

Product Series : *MEOM3125*

Description : *MEMS OMN ANALOG 3.1 X 2.5D 1.1H 2V < 300 Ohm 42/3 RoHS S/N 59 dB SP IP54*

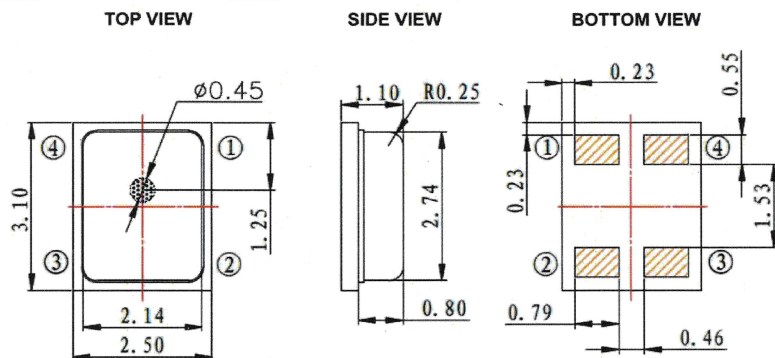
Electrical Specifications

Test Conditions : 23.0 ± 2.0 °C, 55.0 ± 20.0 % R.H.

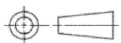
Model No.		MEOM-3125TA-02-623				
Parameter	Symbol	Condition	Limits			Unit
			Min.	Typ	Max.	
Supply Voltage	V_{DD}		1.6	2.0	3.6	V
Supply Current	I_{DSS}	$V_{DD} = 2.0 V$	---	160.0	---	μA
Sensitivity	S	94.0 dB SPL @ 1.0 KHz	-45.0	-42.0	-39.0	dB
Directivity	$D(\theta)$		Omni - Directional			
Signal to Noise Ratio	S/N	94.0 dB SPL @ 1.0 KHz, (A-weighted)	---	59.0	---	dB
Total Harmonic Distortion	THD	100.0 dB SPL @ 1.0 K Hz	---	---	1.0	%
		120.0 dB SPL @ 1.0 K Hz	---	---	10.0	%
Output Impedance	Z_{out}	@ 1.0 K Hz	---	---	300.0	Ω
Terminal			SMD			
Operating Temperature			-40.0 ~ +105.0			°C
Storage Temperature			-40.0 ~ +85.0 (Microphone units with package)			°C
Weight			0.023 ± 10.0 %			g

Dimensions

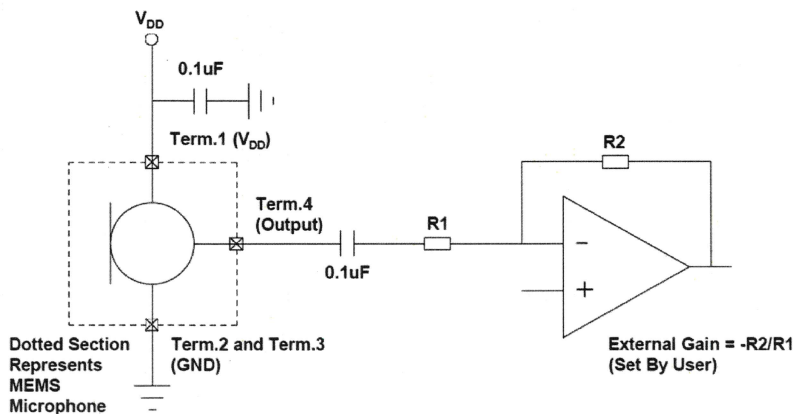
Unit : mm



Pin Output	
Pin #	Function
1	VDD
2	GND
3	GND
4	Output

Note :  All dimensions are in millimeter (mm) otherwise specified.
 Tolerance : ± 0.1 mm unless otherwise specified.

Recommended Interface Circuit



Modify :	Date :	By :