

Specifications Sheet

Product Type : *Analog MEMS Surface Mount Microphone*

Product Series : *MEOM3526*

Description : *MEMS OMN ANALOG 3.5 X 2.65D 0.98H 2V < 300 Ohm 38/3 RoHS S/N 65 dB*

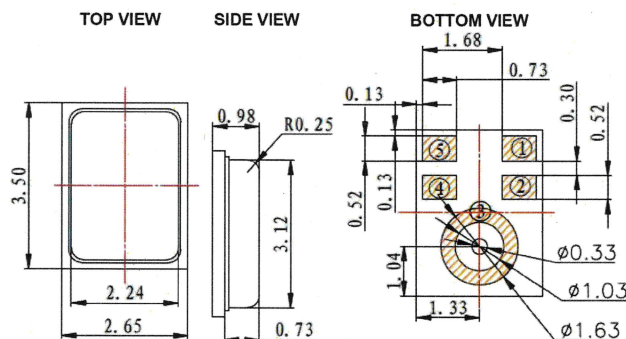
Electrical Specifications

Test Conditions : 23.0 ± 2.0 °C, 55.0 ± 20.0 % R.H.

Model No.		MEOM-3526BA-02-583				
Parameter	Symbol	Condition	Limits			Unit
			Min.	Typ	Max.	
Supply Voltage	V_{DD}		1.6	2.0	3.6	V
Supply Current	I_{DSS}	$V_{DD} = 2.0 V$	---	80.0	---	μA
Sensitivity	S	94.0 dB SPL @ 1KHz	- 41.0	- 38.0	- 35.0	dB
Directivity	$D(\theta)$		Omni - Directional			
Signal to Noise Ratio	S/N	94.0 dB SPL @ 1KHz, (A - weighted)	63.0	65.0	---	dB
Total Harmonic Distortion	THD	100.0 dB SPL @ 1.0 K Hz	---	---	1.0	%
		115.0 dB SPL @ 1.0 K Hz	---	---	10.0	%
Output Impedance	Z_{out}	@ 1.0 K Hz	---	---	300.0	Ω
Terminal			SMD			
Operating Temperature			- 40.0 ~ + 105.0			°C
Storage Temperature			- 40.0 ~ + 85.0 (Microphone units with package)			°C
Weight			0.023 ± 10.0 %			g

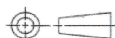
Dimensions

Unit : mm



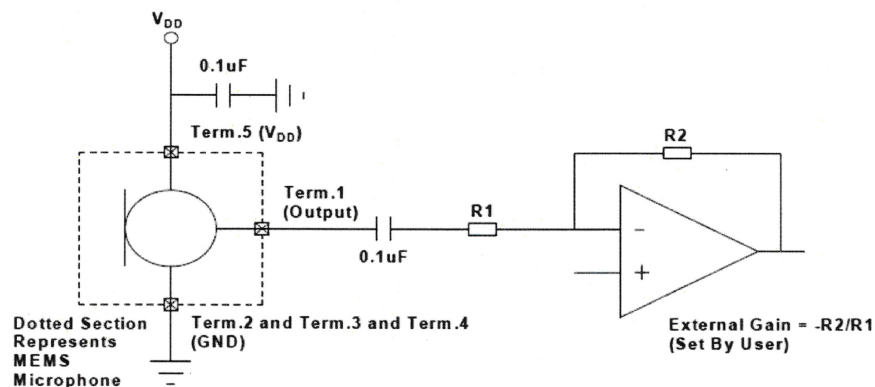
Pin Output	
Pin #	Function
1	Output
2	GND
3	GND
4	GND
5	VDD

Note :



All dimensions are in millimeter (mm) otherwise specified.
Tolerance : ± 0.1 mm unless otherwise specified.

Recommended Interface Circuit



Approved By : JY
Date : 23 Apr 2019

Prepared By : LL
Date : 23 Apr 2019

Modify :	Date :	By :