

## Specifications Sheet

**Product Type :** *Analog MEMS Surface Mount Microphone*

**Product Series :** *MEOM3729*

**Description :** *MEMS OMN ANALOG 3.76 X 2.95D 1.1H 2V < 300 Ohm 38/3 RoHS S/N 65 dB*

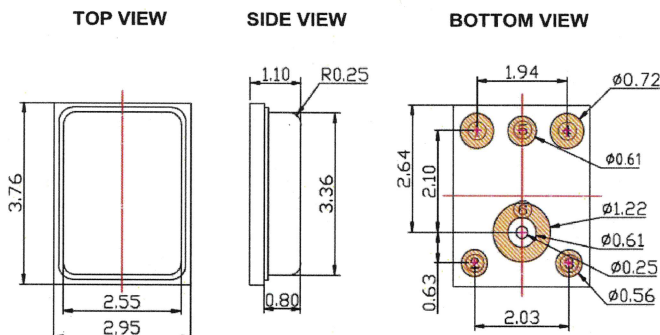
### Electrical Specifications

Test Conditions : 23.0 ± 2.0 °C, 55.0 ± 20.0 % R.H.

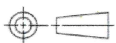
Model No.		MEOM-3729BA-02-583-65				
Parameter	Symbol	Condition	Limits			Unit
			Min.	Typ.	Max.	
Supply Voltage	$V_{DD}$		1.6	2.0	3.6	V
Supply Current	$I_{DSS}$	$V_{DD} = 2.0 V$	---	80.0	---	$\mu A$
Sensitivity	$S$	94.0 dB SPL @ 1KHz	- 41.0	- 38.0	- 35.0	dB
Directivity	$D(\theta)$		Omni - Directional			
Signal to Noise Ratio	$S/N$	94.0 dB SPL @ 1KHz, (A - weighted)	---	65.0	---	dB
Total Harmonic Distortion	THD	94.0 dB SPL @ 1.0 K Hz	---	0.2	---	%
Acoustic Overload Point	AOP	10.0 % THD @ 1.0 kHz	---	130.0	---	dB SPL
Output Impedance	$Z_{OUT}$	@ 1.0 K Hz	---	---	300.0	$\Omega$
Terminal			SMD			
Operating Temperature			- 40.0 ~ + 105.0			°C
Storage Temperature			- 40.0 ~ + 85.0 ( Microphone units with package )			°C
Weight			0.024 ± 10.0 %			g

### Dimensions

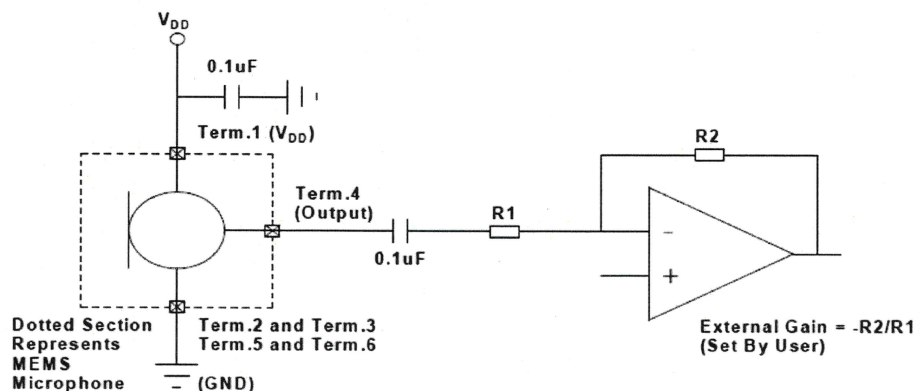
Unit : mm



Pin Output	
Pin #	Function
1	VDD
2	GND
3	GND
4	Output
5	GND
6	GND

Note :  All dimensions are in millimeter ( mm ) otherwise specified.  
Tolerance : ± 0.1 mm unless otherwise specified.

### Recommended Interface Circuit



Modify :	Date :	By :

Approved By : JY  
Date : 23 Apr 2019

Prepared By : LL  
Date : 23 Apr 2019